

All ideas, designs, arrangements and plans indicated or represented by this drawing are owned by and the property of SCHWEIZER - WALDROFF ARCHITECTS, Incorporated, and were created, evolved and developed for the use on and in connection with this specific project.

GENERAL NOTES

- CONTRACTOR TO PROVIDE TYPED AS-BUILT PANEL SCHEDULE.

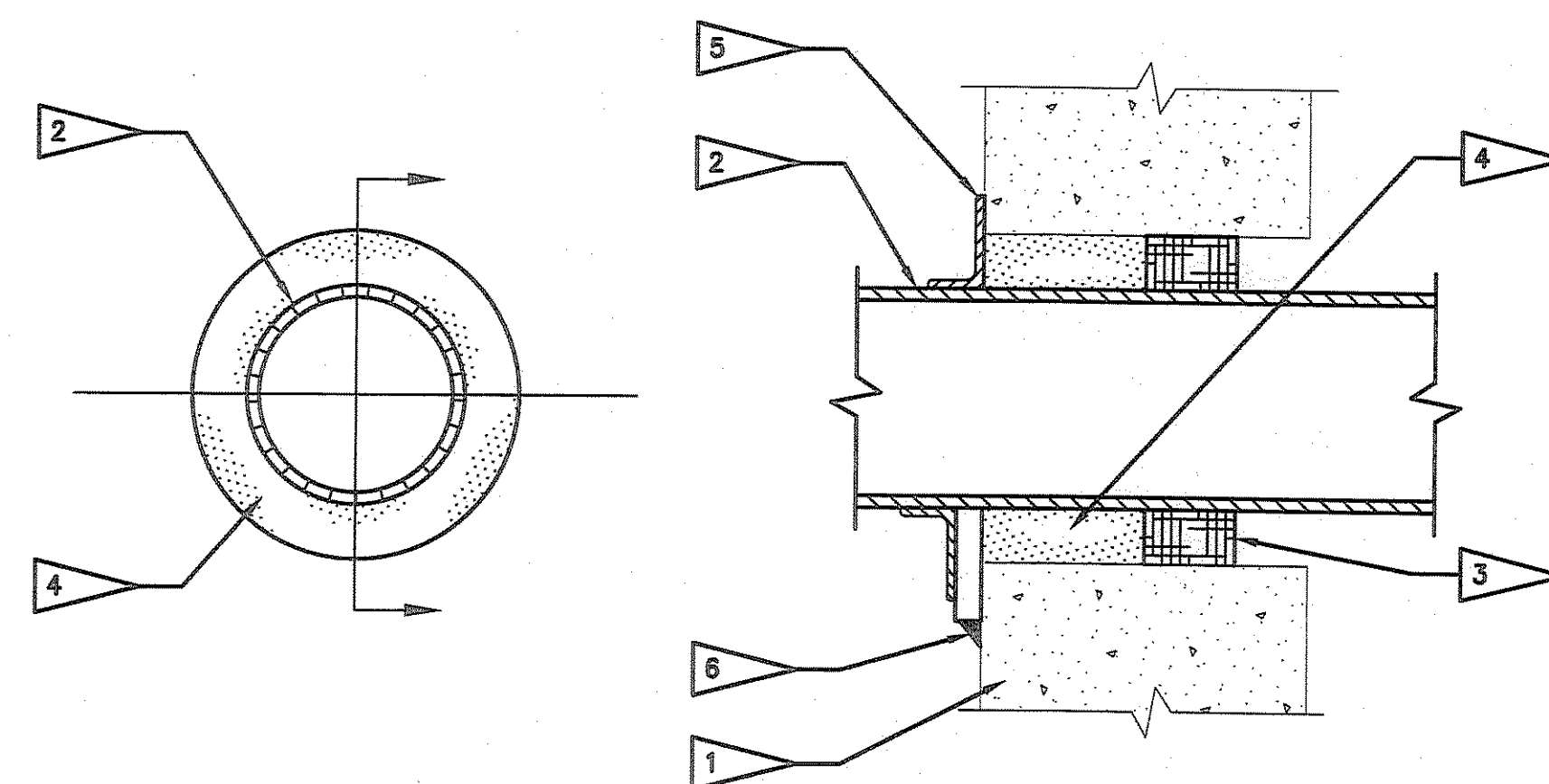


INTERIOR DESIGN
 LANDSCAPE ARCHITECTURE
 145 CANAL STREET - NEW SMYRNA BEACH, FLORIDA 32108 - (888) 428-0865 - FAX (888) 428-8018
 ARCHITECTURE LICENSE NO. AA-0008143
 WEBSITE: www.swanab.com

PANEL NAME: MAIN PANEL		LOCATION: MECHANICAL ROOM										
VOLTAGE, PH, WIRE: 208/120V, 3 PH, 4 WIRE		AMPS INTERRUPTING CAPACITY (AIC): 22K										
AMP RATING: 175A MCB 225A BUS		FEEDER CONDUCTOR SIZE: 4-2/0 AWG, 6AWG GND										
MLO / MAIN BREAKER: MCB		FED FROM: MAIN DISTRIBUTION PANEL, CKT #9										
CKT NO	LOAD NAME	BRKR SIZE (A)	CONN'D LOAD (VA)	# POLES	A	B	C	# POLES	CONN'D LOAD (VA)	BRKR SIZE (A)	LOAD NAME	CKT NO
1	HVAC - AHU	45	10975	3				1	1152	15	LIGHTING: FLEXIBLE MEETING ROOM AND MEETING ROOM 1	2
3								1	768	15	LIGHTING: MEETING ROOMS 3 & 4	4
5								1	384	15	LIGHTING: MEETING ROOM 6	6
7	HVAC - CONDENSER	60	14322	3				1	1363	15	LIGHTING: RESTROOMS, MECHANICAL ROOM, AND EXHAUST FANS	8
9								1	758	15	EXTERIOR LIGHTING: NE & NW OVERHANG AND PATIO EXIT	10
11								1	1171	15	LIGHTING: LOBBY, CORRIDOR, AND COFFEE BAR	12
13	WATER HEATER	30	4500	2				1	640	15	PATIO LIGHTING	14
15								1	227.5	20	WALKWAY BOLLARD LIGHTING	16
17	HVAC SYSTEM CONTROLLER	20	600	1				1	128	15	CAR PORT LIGHTING	18
19	PATIO FAN	20	414	1				1	50	15	FEATURE LIGHTING	20
21	RECEPTACLE: MEETING ROOMS 3 & 4	20	2160	1				1	250	15	EXTERIOR COLUMN LIGHTING	22
23	RECEPTACLE: RESTROOMS AND WET BAR	20	900	1				1	336	20	PARKING LIGHTS	24
25	RECEPTACLE: MEETING ROOM 2	20	1080	1				1	194.4	20	EMERGENCY AND EXIT LIGHTING	26
27	RECEPTACLE: CORRIDOR & MECHANICAL ROOM	20	1080	1				1	-	20	SPARE	28
29	RECEPTACLE: LOBBY AND COFFEE BAR	20	1260	1				1	400	20	MONUMENT SIGN	30
31	RECEPTACLE: FLEXIBLE MEETING ROOM	20	1800	1				1	-	20	SPARE	32
33	RECEPTACLE: MEETING ROOM 1	20	1080	1				1	-	20	SPARE	34
35	RECEPTACLE: PATIO	20	1440	1				1	-	20	SPARE	36
37	RECEPTACLE: EXTERIOR	20	540	1								38
39	SPARE	20	-	1				3	0	20	PATIO JUNCTION BOX	40
41	SPARE	20	-	1								42

CONNECTED LOAD A PHASE (VA)	36323.4
CONNECTED LOAD B PHASE (VA)	36120.5
CONNECTED LOAD C PHASE (VA)	31916
TOTAL CONNECTED LOAD (VA)	49265.9
TOTAL CONNECTED LOAD (A)	140.24

PANEL SCHEDULE



FIRE-RATED PIPE PENETRATION DETAIL

NOT TO SCALE

DETAIL FLAG NOTES

- WALL ASSEMBLY
- STEEL PIPE OR CONDUIT, STEEL EMT OR RIGID CONDUIT. MAX ONE STEEL PIPE OR CONDUIT PER THROUGH OPENING. WHEN THROUGH OPENING SIZE EXCEEDS 4" DIA., MAX. ANNULAR SPACE BETWEEN PIPE OR CONDUIT AND EDGE OF THROUGH OPENING SHALL NOT EXCEED 2".
- PACKING MATERIAL—USED AS A FORM TO PREVENT LEAKAGE OF THE FILL MATERIAL WHEN IN A PLASTIC STATE. PACKING MATERIAL MAY CONSIST OF MINERAL-WOOL BATT OR CERAMIC FIBER BLANKET MATERIAL WITH A REMOVABLE FORM (TAPE OR EQUAL) PLACED OVER THE THROUGH OPENING AT THE WALL SURFACE TO PREVENT SEEPAGE OF THE FILL MATERIAL FROM THE OPENING WHILE IN ITS PLASTIC STATE.
- FILL, VOID OR CAVITY MATERIALS—APPLIED TO FILL THE THROUGH OPENING TO A MIN. DEPTH AS REQUIRED.
- GALVANIZED STEEL COVER PLATE—MIN. 0.019" THICK (26 GAUGE) SIZED TO OVERLAP THE THROUGH OPENING MIN. 2". SECURED TO THE WALL WITH STEEL MASONRY FASTENERS WHEN ANNULAR SPACE IS GREATER THAN 3/4".
- VAPORPROOF SEAL OR APPROVED DRYWALL COMPOUND APPLIED PER U.L. OR OTHER LISTING AND TESTING PROCEDURES IF OPENING IN WALL AROUND PIPING IS LESS THAN 1/4".

LIGHTING SCHEDULE		
FIXTURE	DESCRIPTION	QUANTITY
A	LIGHTOLIER PERFLYTE LP-7 LP1C 9" FULLY PERFORATED 2 LAMP T8	30
AE	LIGHTOLIER PERFLYTE LP-7 LP1C 9" FULLY PERFORATED 2 LAMP T8 (WITH EMERGENCY BALLAST)	6
B	LIGHTOLIER LYTECASTER 6 3/4" RECESSED 1100 SERIES 32W TRIPLE LAMP 1101HCD WITH 1101F2642U	41
C	LIGHTOLIER 3 3/4" LYTEPOINTS SHIELD WALL WASHER LOW VOLTAGE	4
D	LIGHTOLIER TASKMASTER UNDERCABINET TCV15W120P BPR 48" LENGTH	2
E	LIGHTOLIER LYTECASTER 6 3/4" APERTURE SLOPED CEILING 1131CL	5
F	LIGHTOLIER DISCUS ADA 2 13W QUAD 4 PINF.	2
G	LIGHTOLIER VANITY LIGHT VL SERIES 24" SHIELDING VLW4X24	5
H	LIGHTOLIER LYTECASTER 6 3/4" APERTURE WET LOCATION CLEAR DIFFUSE LENS 26W TRIPLE	2
J	PENDANT LEUCOS DISK S HALOGEN LAMP	3
K	LIGHTOLIER ST-4 WA 44HO120S0	1
L	LIGHTOLIER SOLUTION WWL WALL MOUNT LOW VOLTAGE EMERGENCY LIGHT W/ BATTERY BACKUP	3
M	EXCELINE 600 WALL SERIES - MOUNT AT 12' A.F.F.	1
N	NIGHTSCAPING DIRECT BURIAL MASTERLITER MR-0508 MR-16 LAMP LOW VOLTAGE	6
O	NIGHTSCAPING WM-3535 POSTLITER LOW VOLTAGE PATHLIGHT	14
P	PARKING LOT LIGHTING - 2-28W LED SIGHT LIGHTING FIXTURES	11
R	SUSPENDED FLUORESCENT - LIGHTOLIER ST4WA232UNVHI	10
T	SINGLE SIDED EXIT LIGHT FIXTURE, RECHARGEABLE TYPE4	3

PORT ORANGE PRESBYTERIAN CHURCH
 PORT ORANGE, FLORIDA

1/11/2012

PANEL LIGHTING SCHEDULES AND ELECTRICAL DETAILS SHEET NUMBER

E7

Nelson Engineering Co.
 5335 North Courtenay Pkwy
 Merritt Island, FL 32953
 (321) 449-1128 Fax (321) 449-1195
 www.NelsonEngrCo.com