

Key Plan

Professional Seals

Tim James
 12/14/11

Tim James (Burr License # AF0016097)

No.	Issue Description	YYYY-MM-DD
1	ISSUE FOR BID & PERMIT	12.14.11

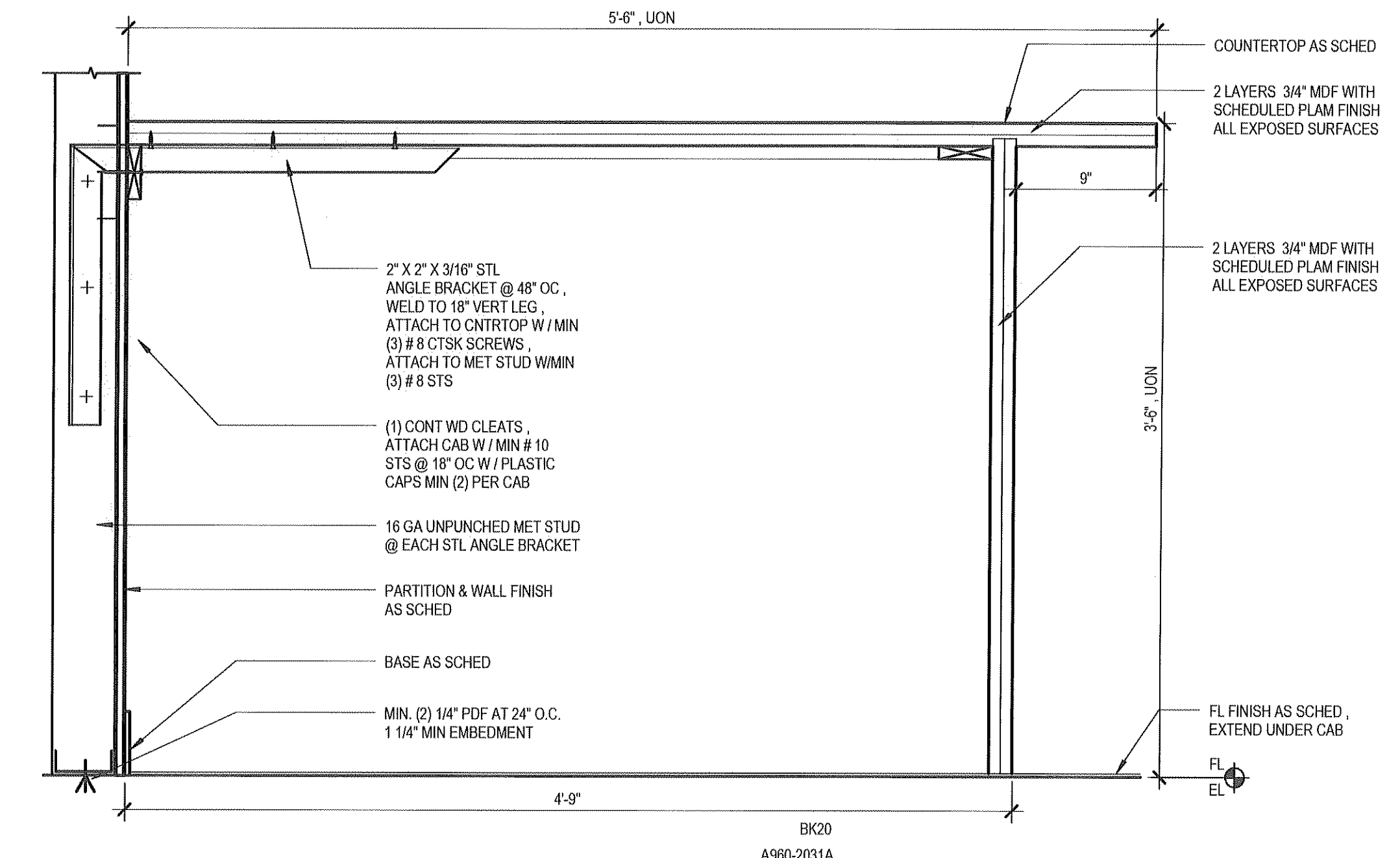
No.	Revision Description	YYYY-MM-DD
-----	----------------------	------------

Drawn by: Author Reviewed by: Checker
 Project No: 10.01698.00

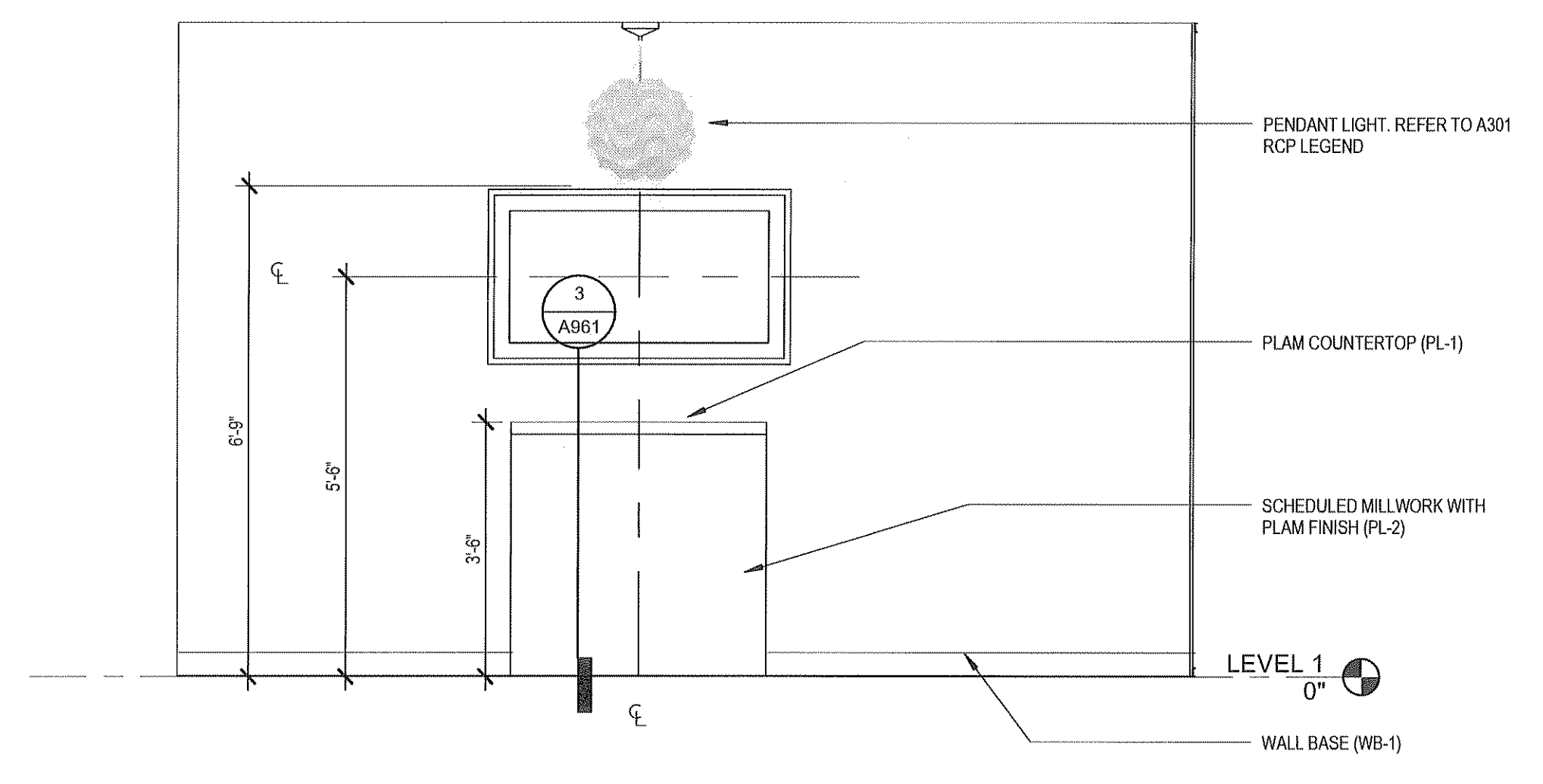
Sheet Title
MILLWORK DETAILS

Original drawing is 42 x 30. Do not scale contents of this drawing.
 Sheet Number

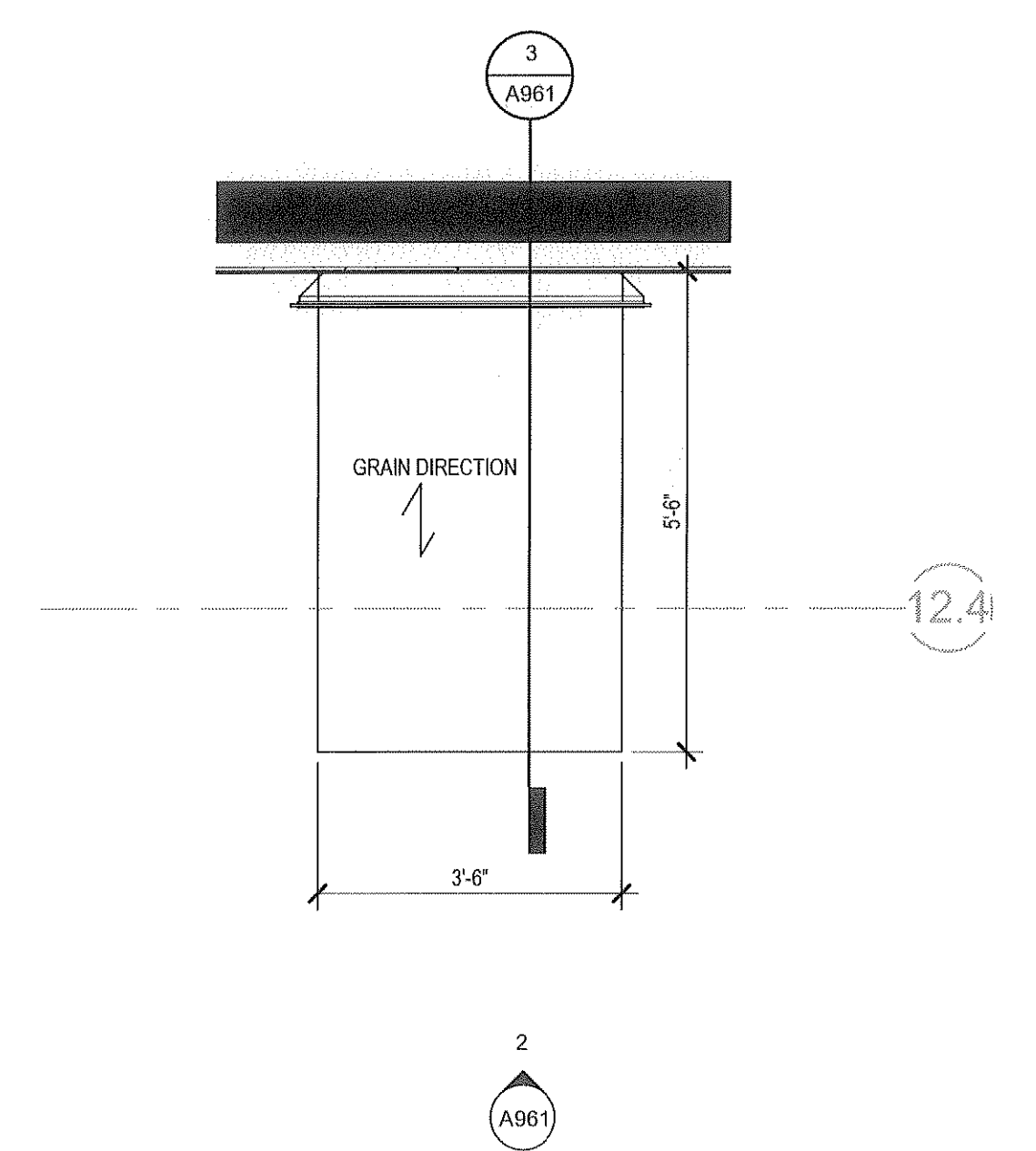
A961



3 BREAK AREA ISLAND DETAIL 1
 1 1/2" = 1'-0"



2 ELEVATION AT BREAK ROOM COUNTER
 1/2" = 1'-0"



1 ENLARGED PLAN - BREAK ROOM
 1/2" = 1'-0"