



STRUCTURAL ENGINEERS

400 S. Atlantic Ave,
Suite 106
Ormond Beach, FL 32176
Office: (386) 672-1214
Fax: (386) 672-1421
JOHN SIMKO
STRUCTURAL ENGINEER
FLORIDA 30122

msstructural@cfl.rr.com

LICENSE STAMP

TO THE BEST OF MY KNOWLEDGE THESE PLANS ARE IN ACCORDANCE WITH THE LATEST EDITION OF THE 2007 FLORIDA BUILDING CODE WITH 2009 SUPPLEMENTS

REVISIONS

NO.	DATE	BY	DESCRIPTION

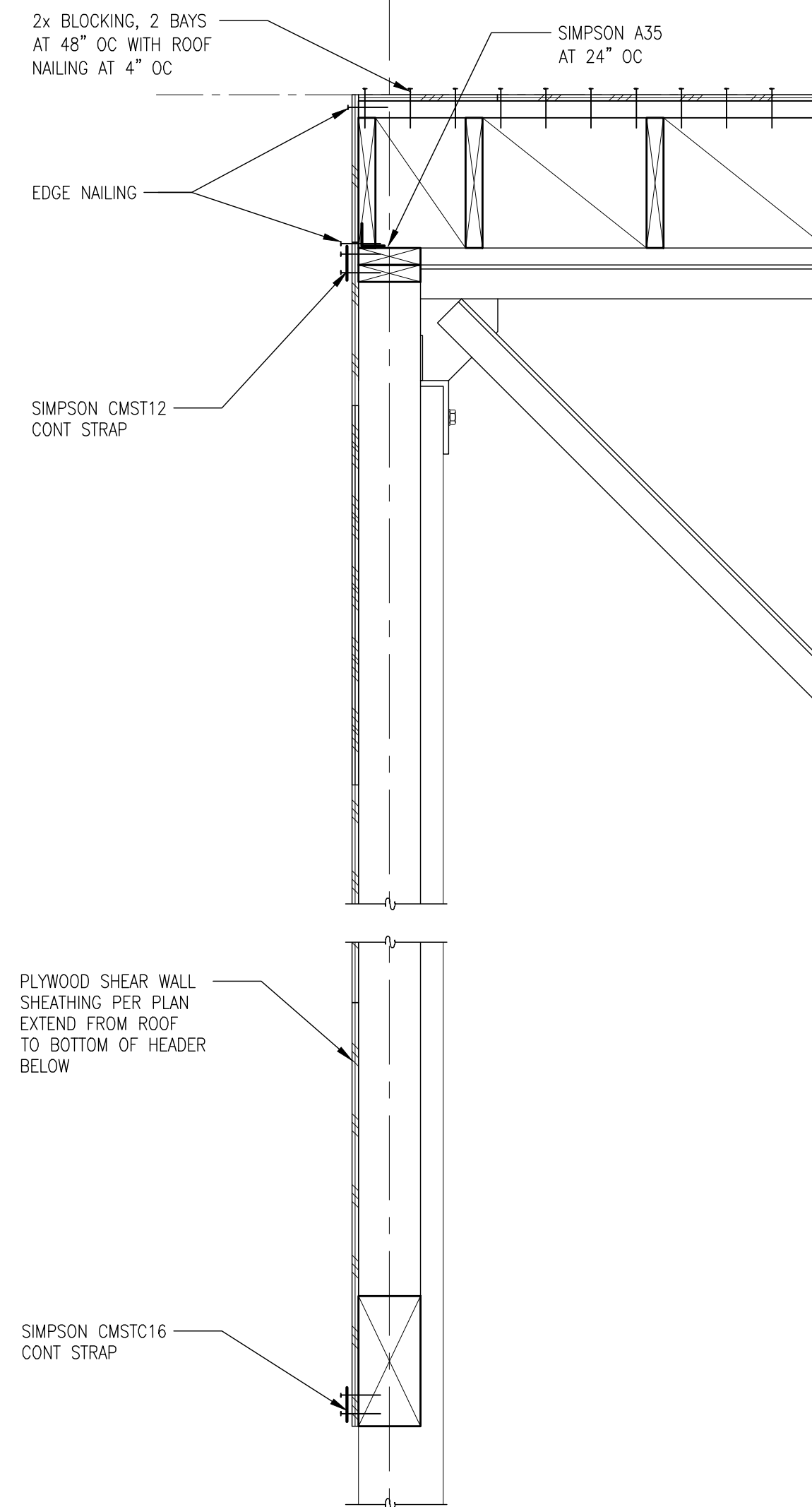
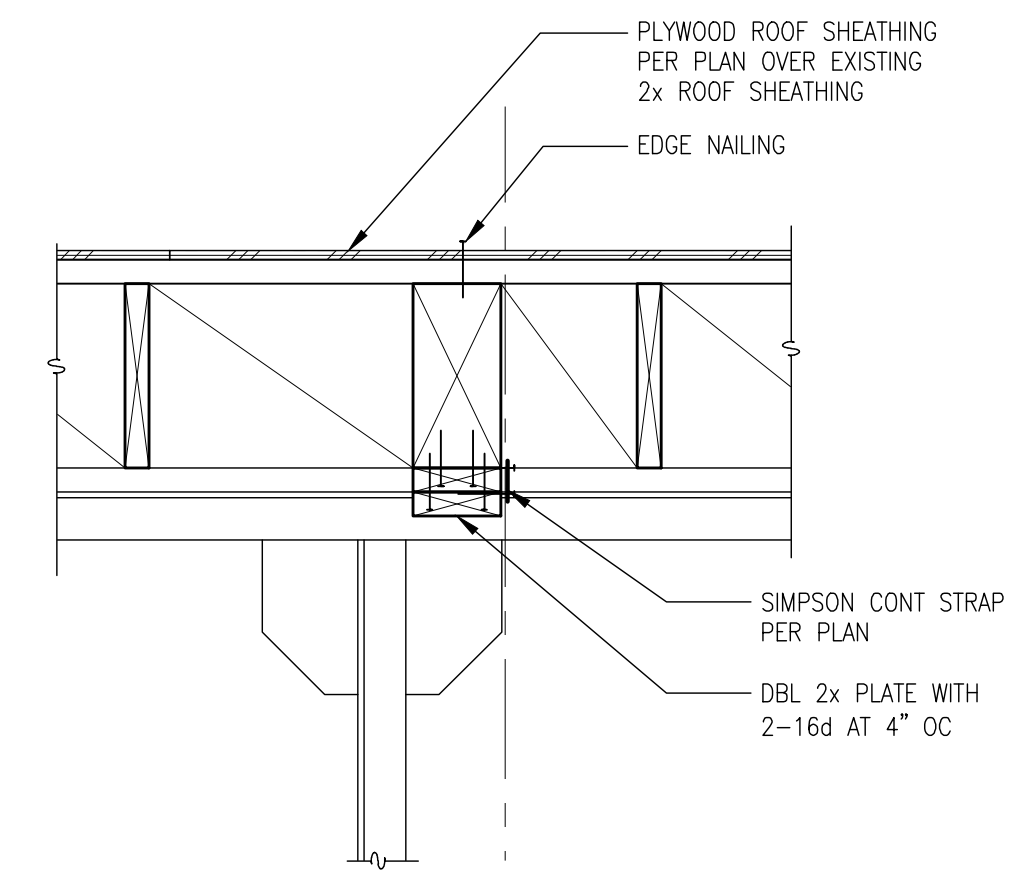
PROJECT
2007 FBC WIND DESIGN UPDATE FOR:
DAYTONA BEACH PIER
MAIN STREET
DAYTONA BEACH, FLORIDA

DRAWING TITLE
FRAMING DETAILS

JOB NO.	10-010
SCALE	AS NOTED
DRAWN	JJB
CHECKED	JPS
DATE	7/1/10

SHEET NUMBER

SD3.1



13	FRAMING DETAIL	SCALE: 1" = 1'-0"	9	FRAMING DETAIL	SCALE: 1" = 1'-0"	5	FRAMING DETAIL	SCALE: 1" = 1'-0"	1	FRAMING DETAIL	SCALE: 1" = 1'-0"
14	FRAMING DETAIL	SCALE: 1" = 1'-0"	10	FRAMING DETAIL	SCALE: 1" = 1'-0"	6	FRAMING DETAIL	SCALE: 1" = 1'-0"			
15	FRAMING DETAIL	SCALE: 1" = 1'-0"	11	FRAMING DETAIL	SCALE: 1" = 1'-0"	7	FRAMING DETAIL	SCALE: 1" = 1'-0"			
16	FRAMING DETAIL	SCALE: 1" = 1'-0"	12	FRAMING DETAIL	SCALE: 1" = 1'-0"	8	FRAMING DETAIL	SCALE: 1" = 1'-0"	4	FRAMING DETAIL	SCALE: 1" = 1'-0"