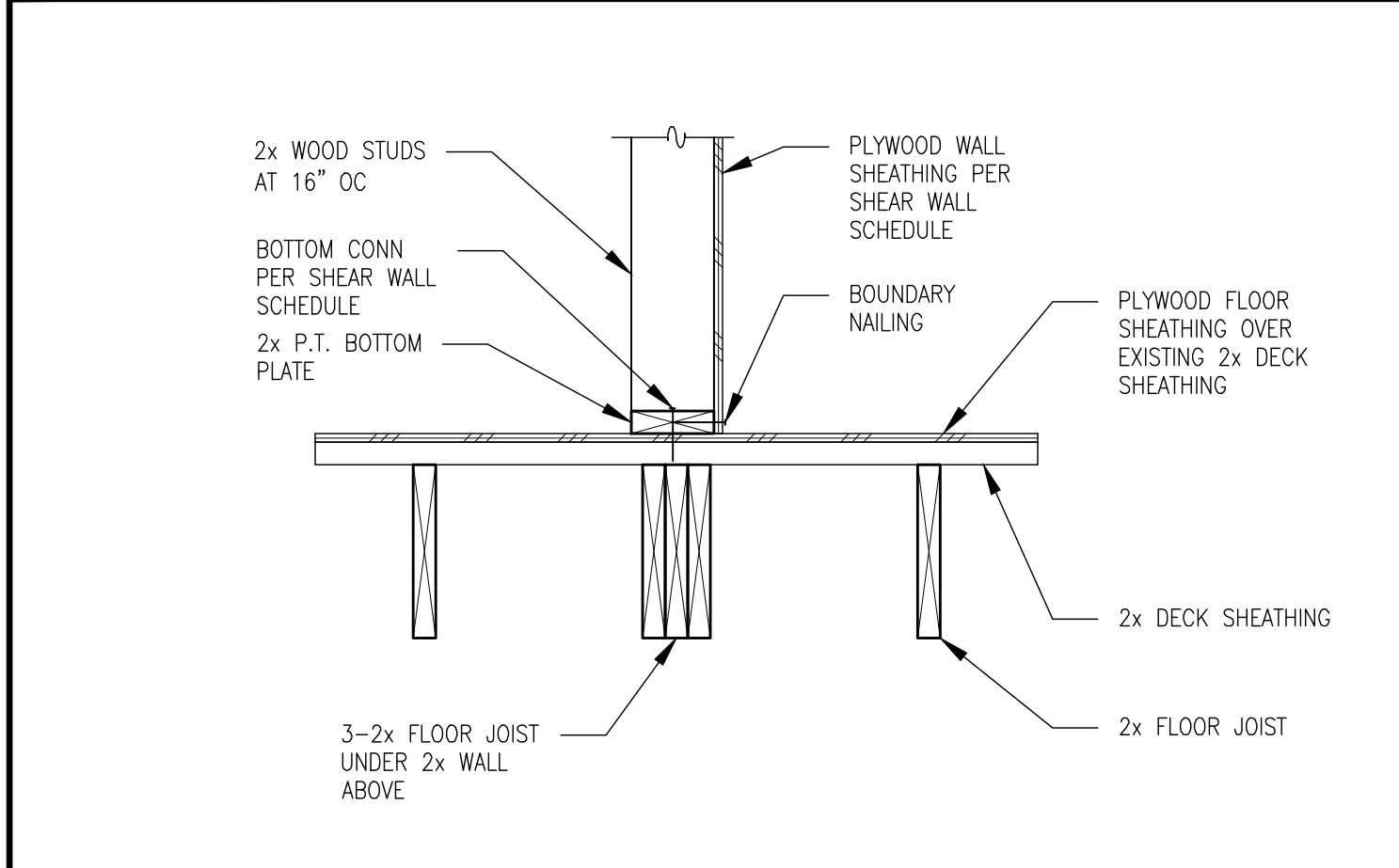
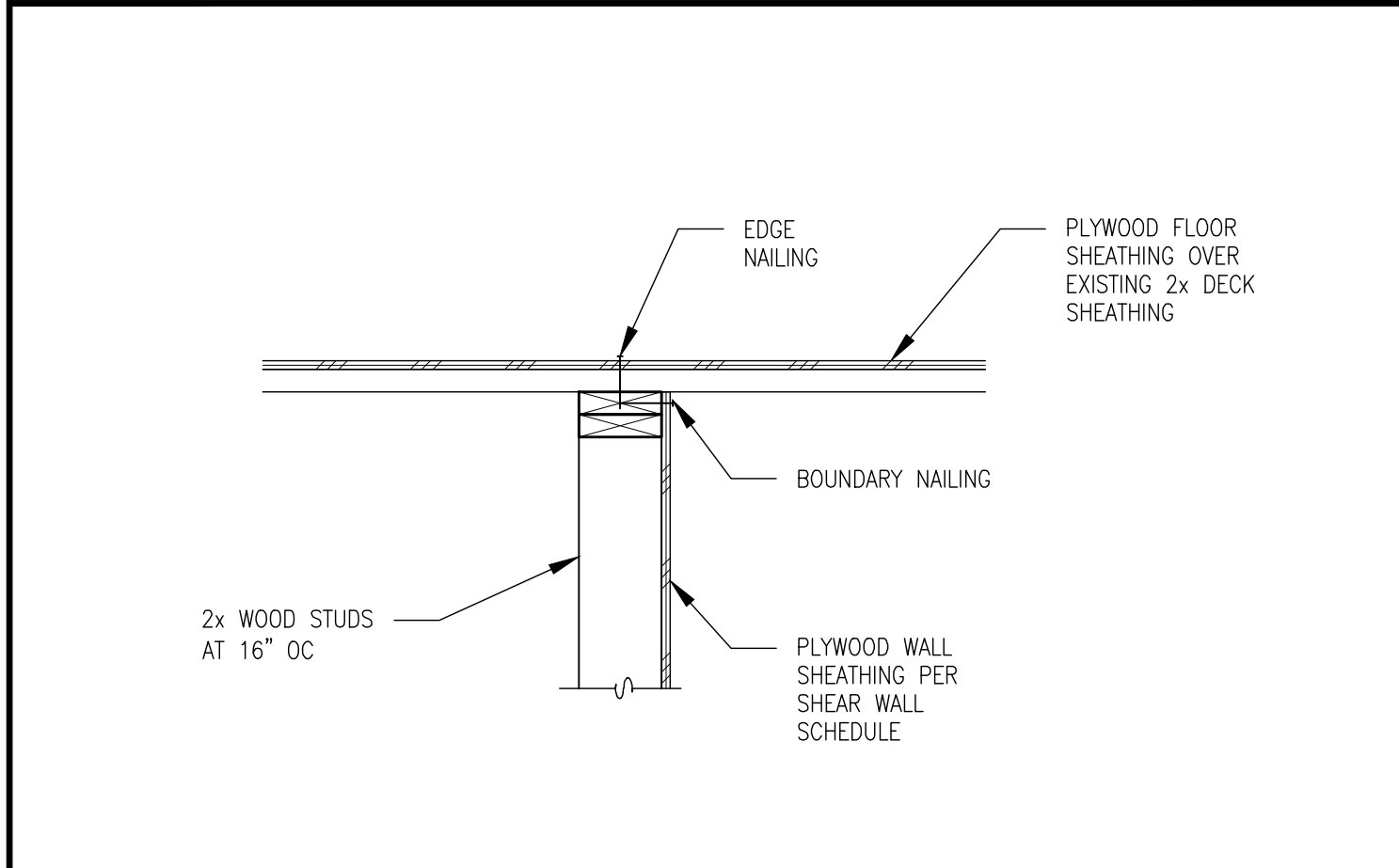


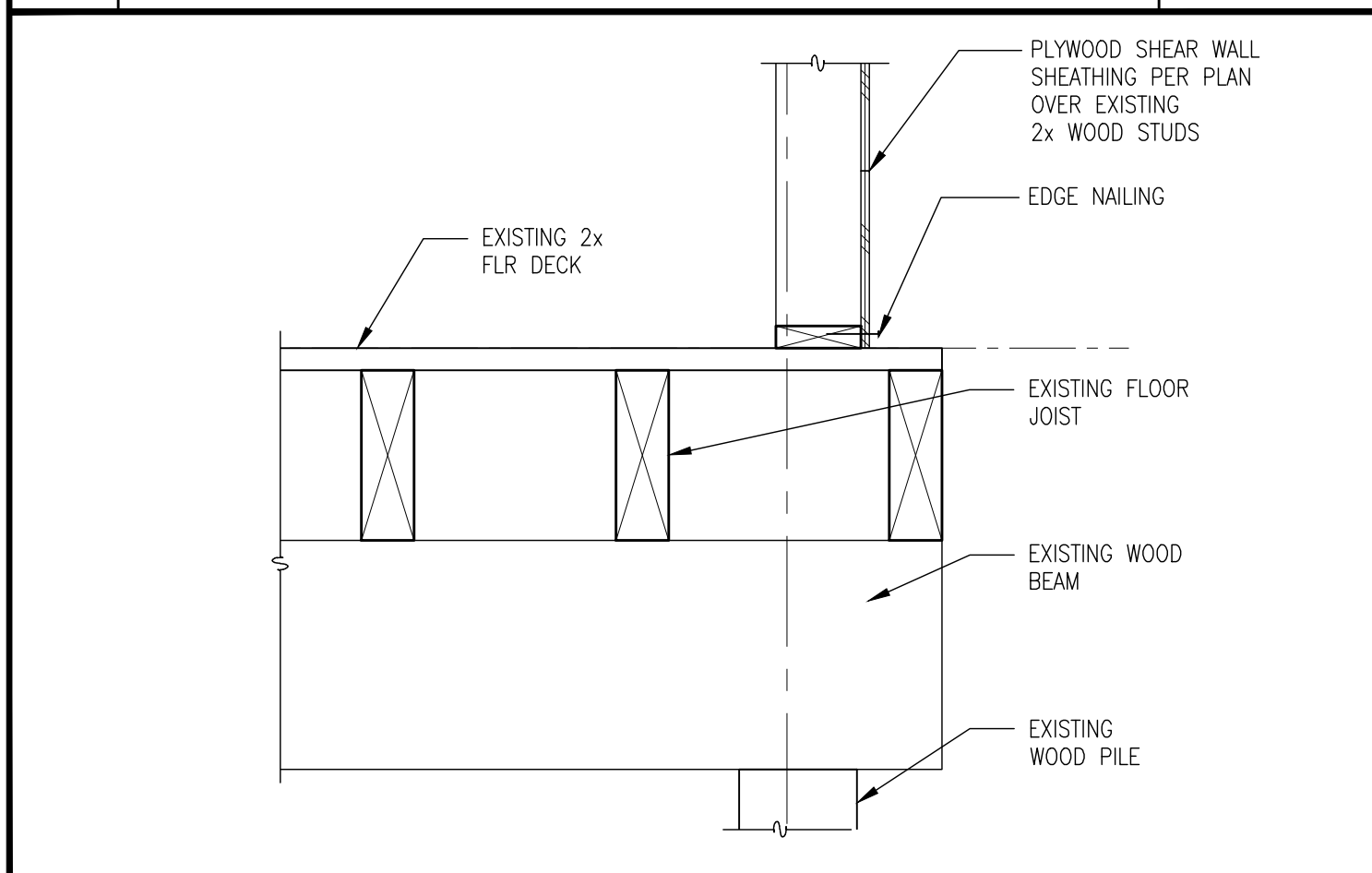
9 FRAMING DETAIL SCALE: 1" = 1'-0"



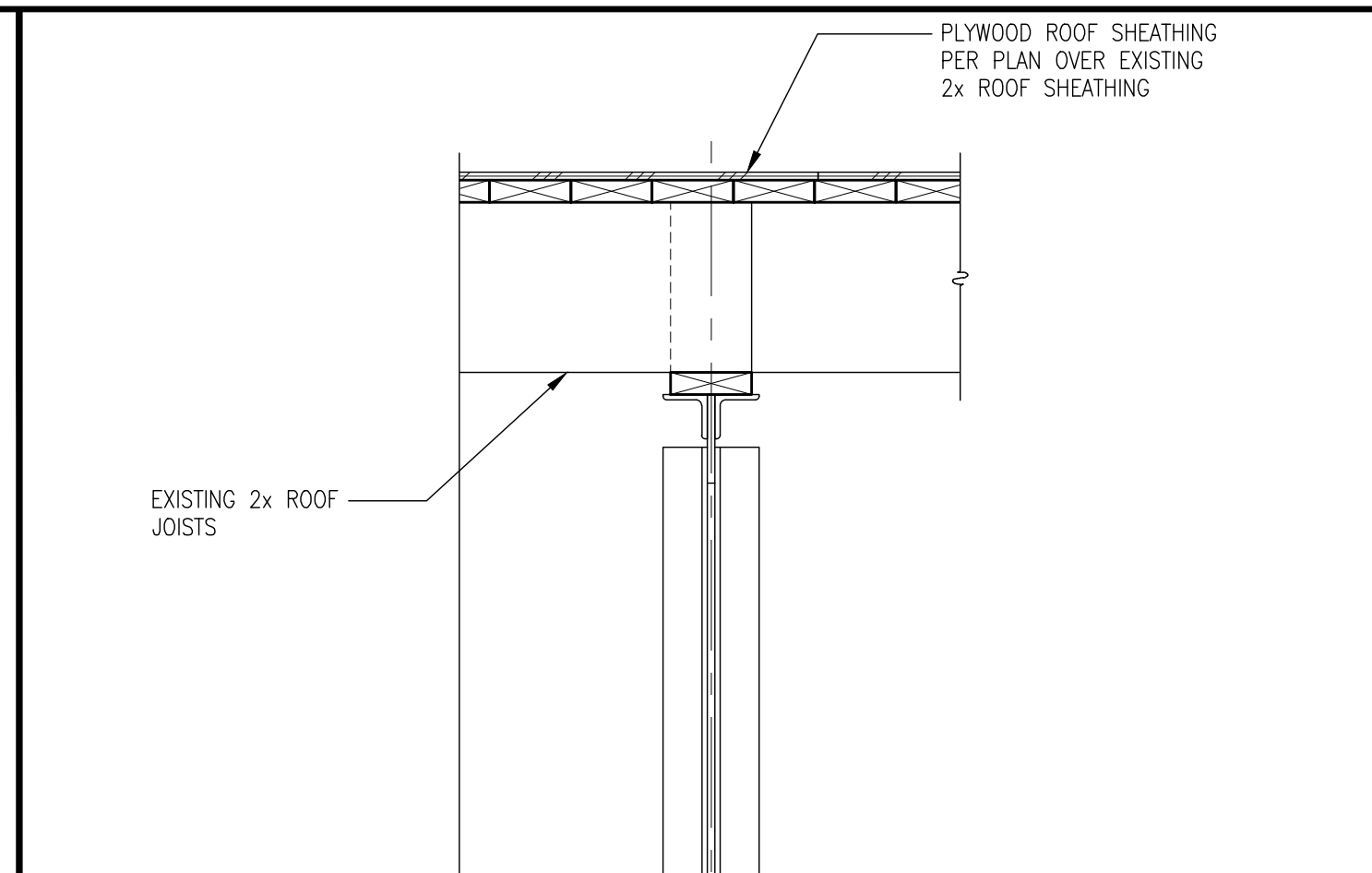
10 FRAMING DETAIL SCALE: 1" = 1'-0"



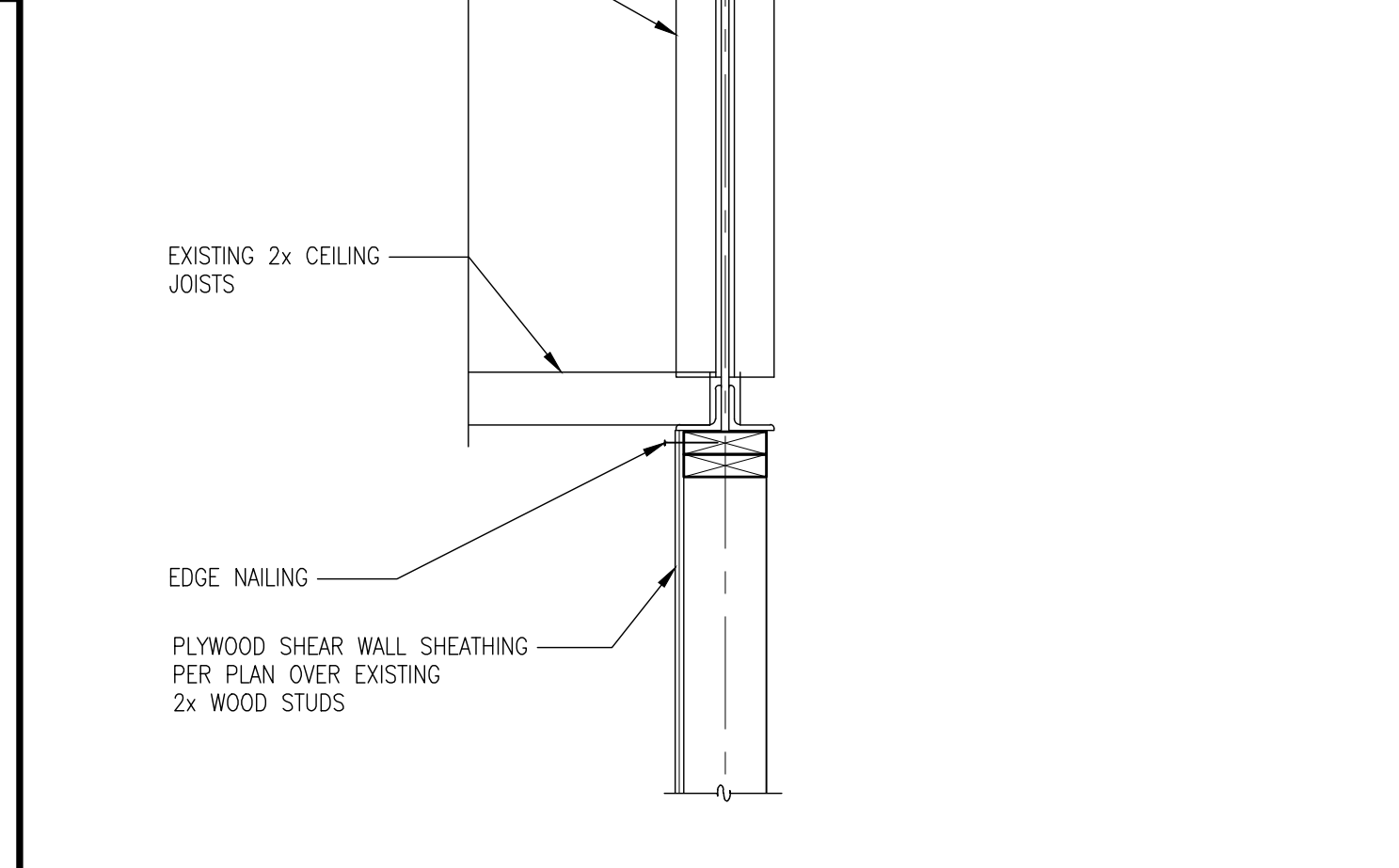
11 FRAMING DETAIL SCALE: 1" = 1'-0"



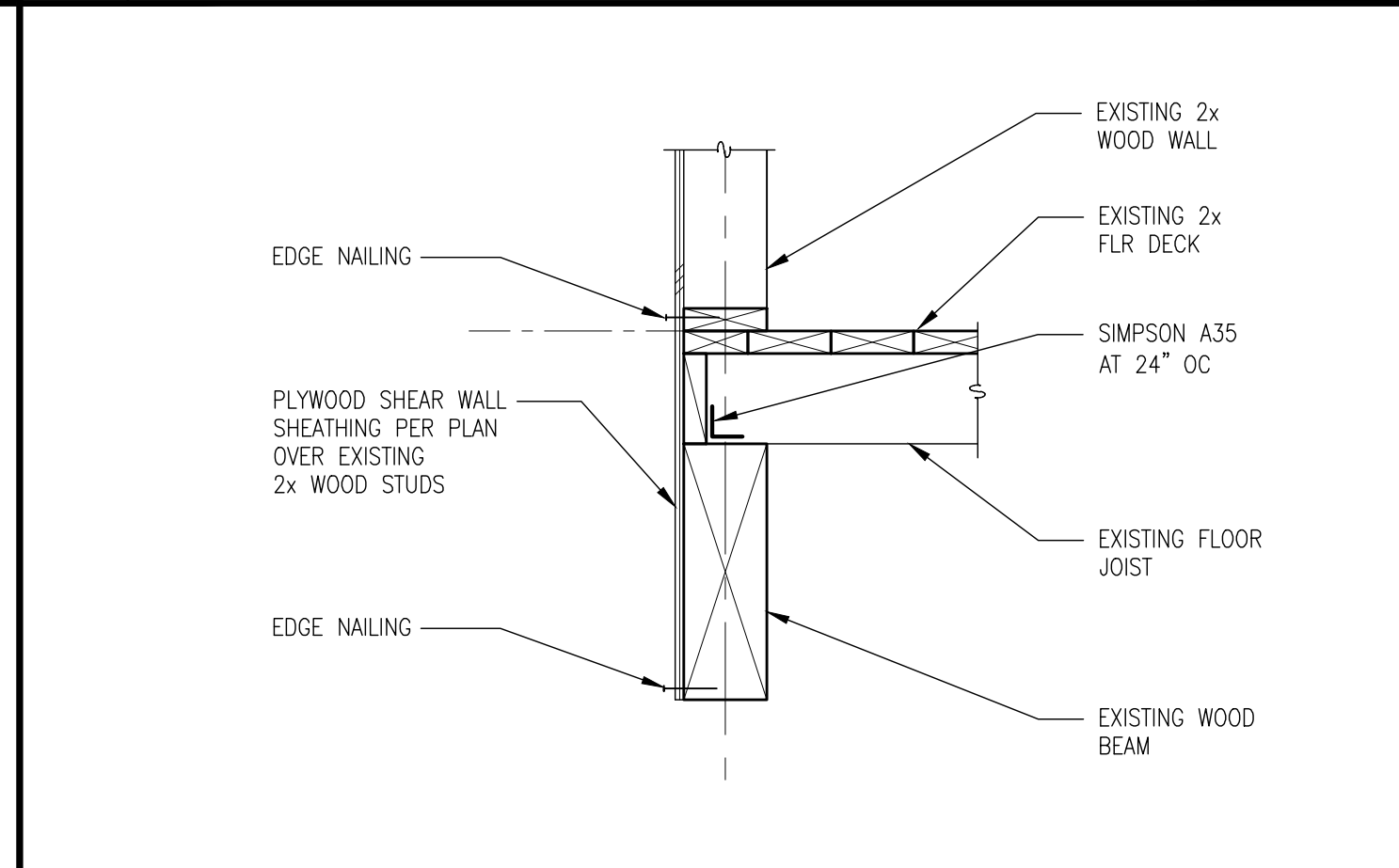
12 FRAMING DETAIL SCALE: 1" = 1'-0"



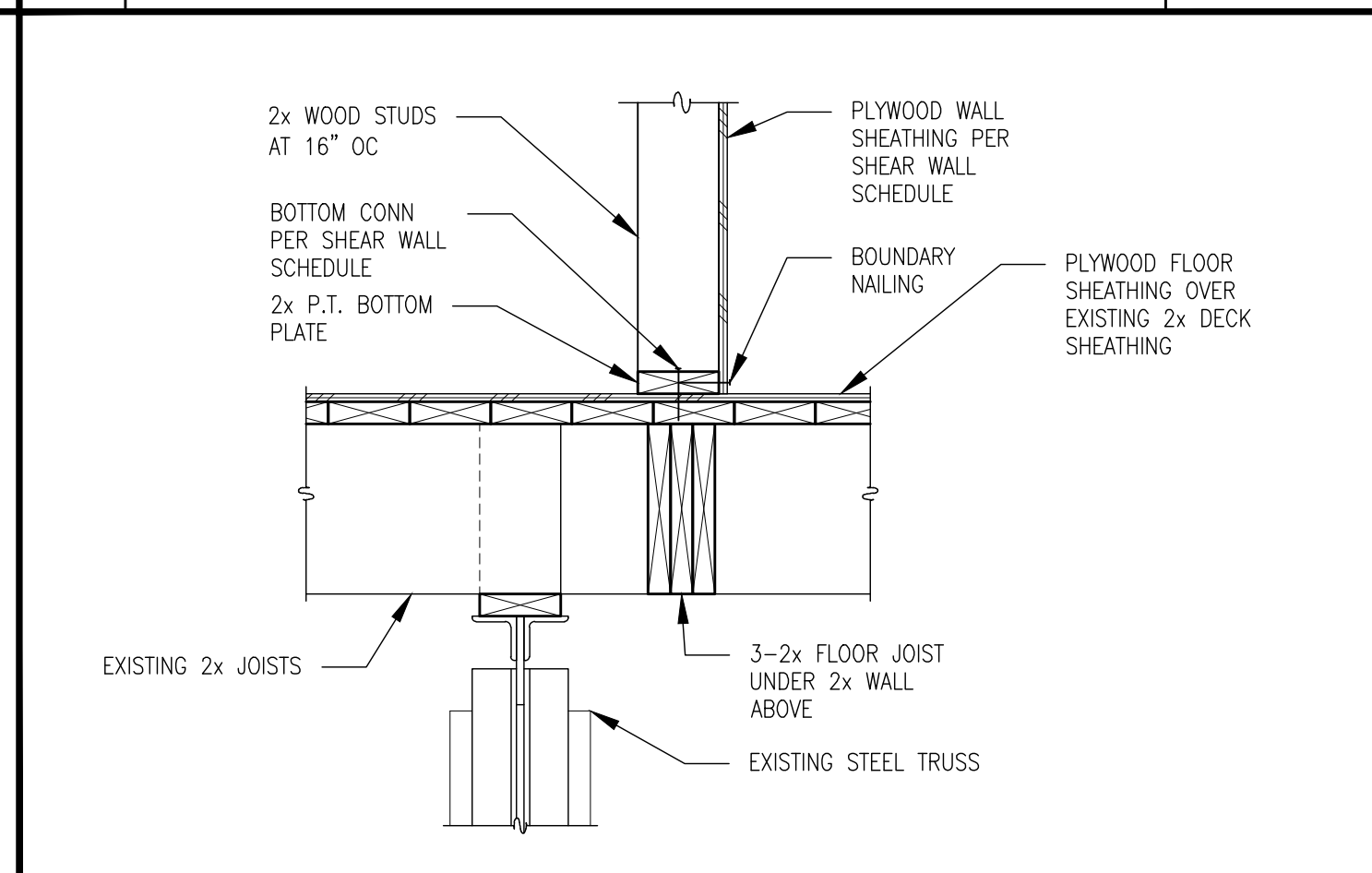
6 FRAMING DETAIL SCALE: 1" = 1'-0"



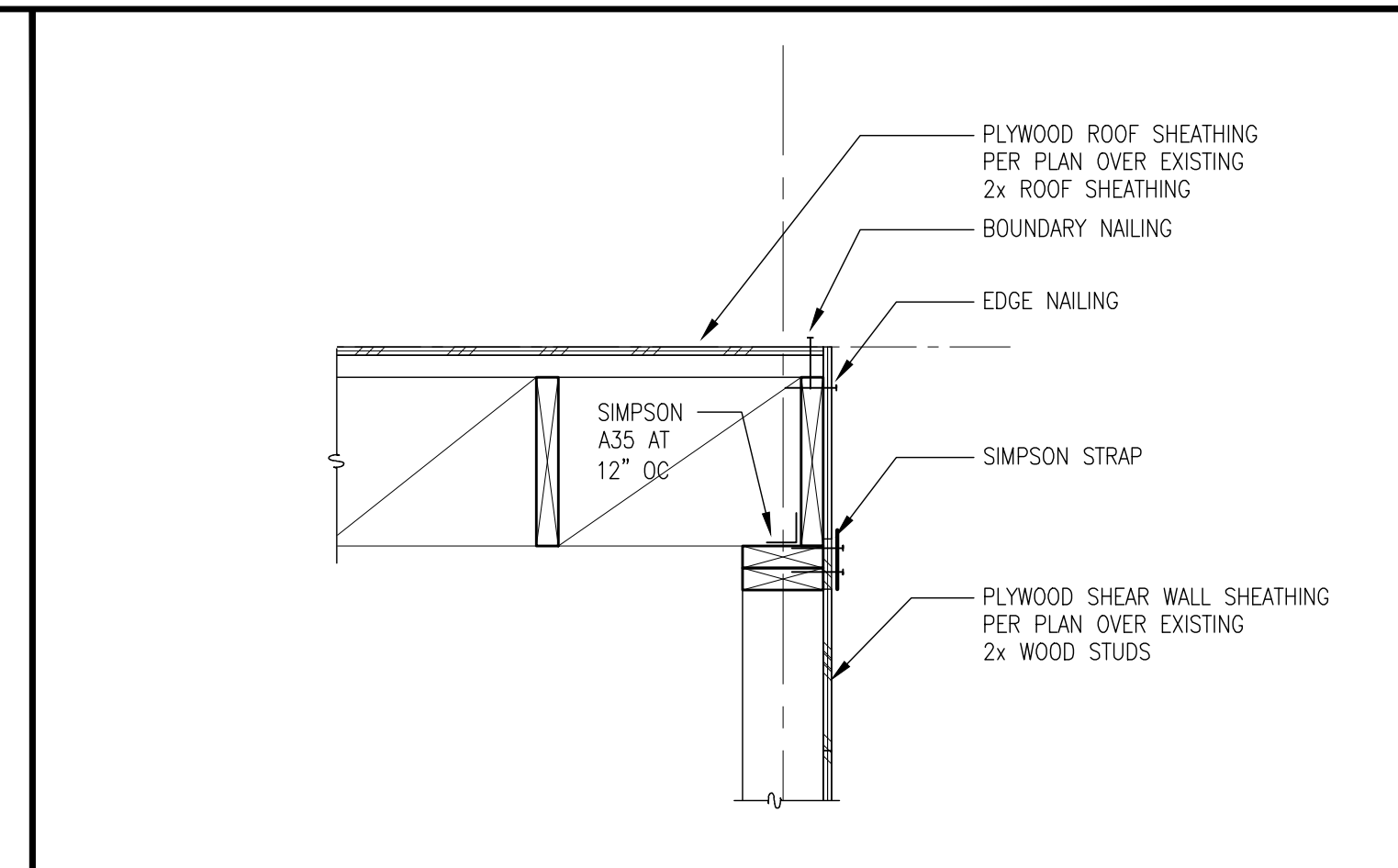
7 FRAMING DETAIL SCALE: 1" = 1'-0"



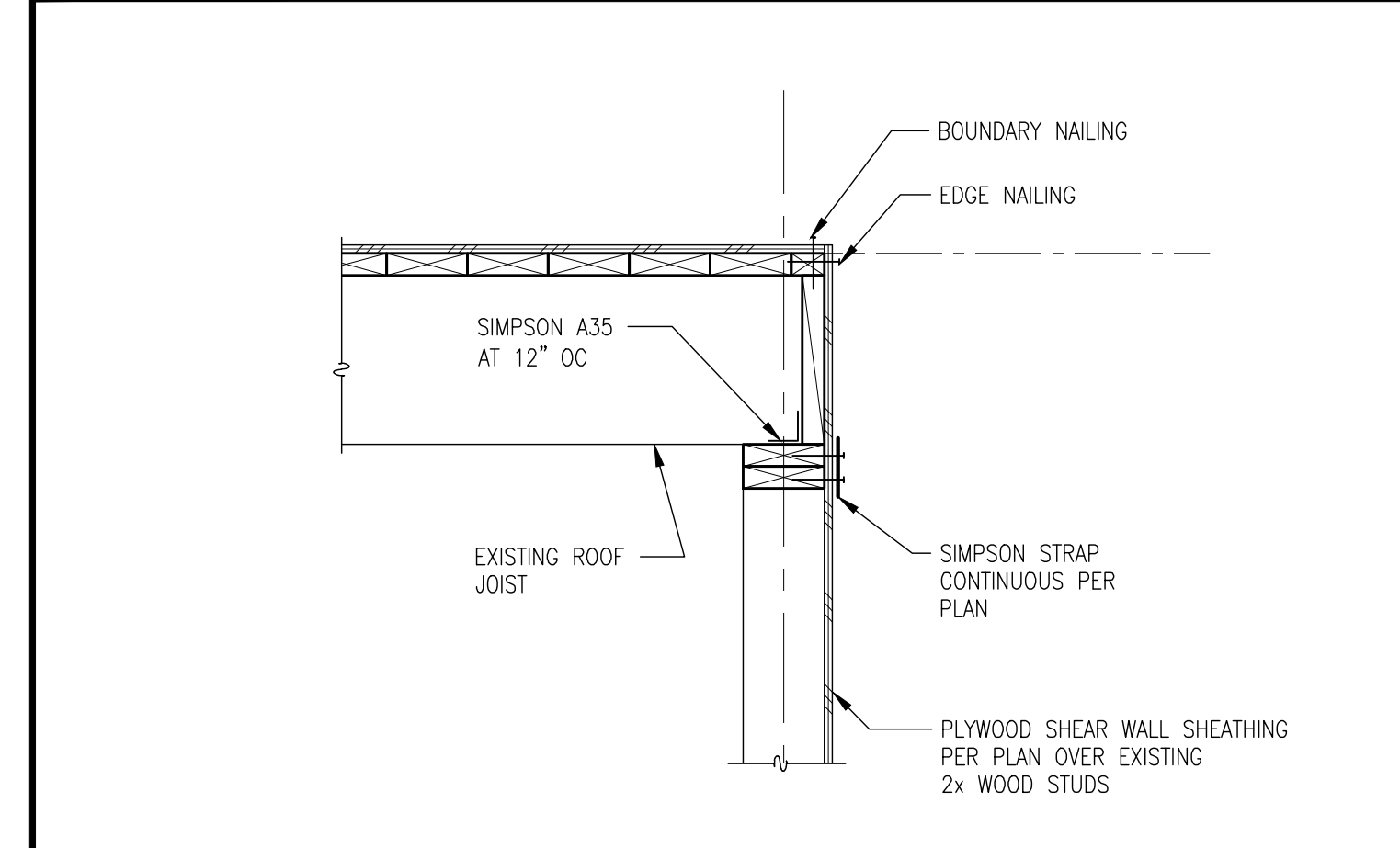
4 FRAMING DETAIL SCALE: 1" = 1'-0"



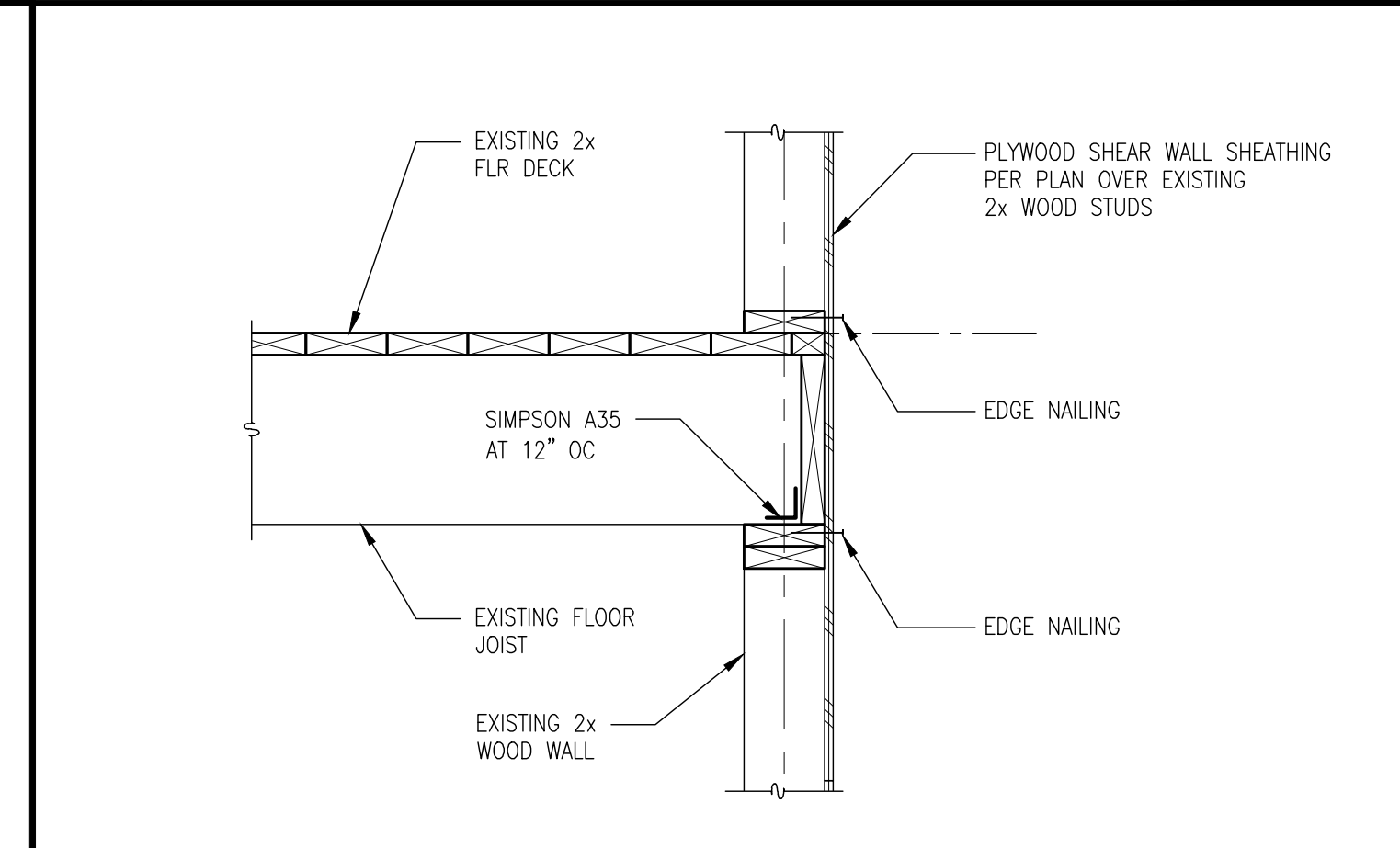
8 FRAMING DETAIL SCALE: 1" = 1'-0"



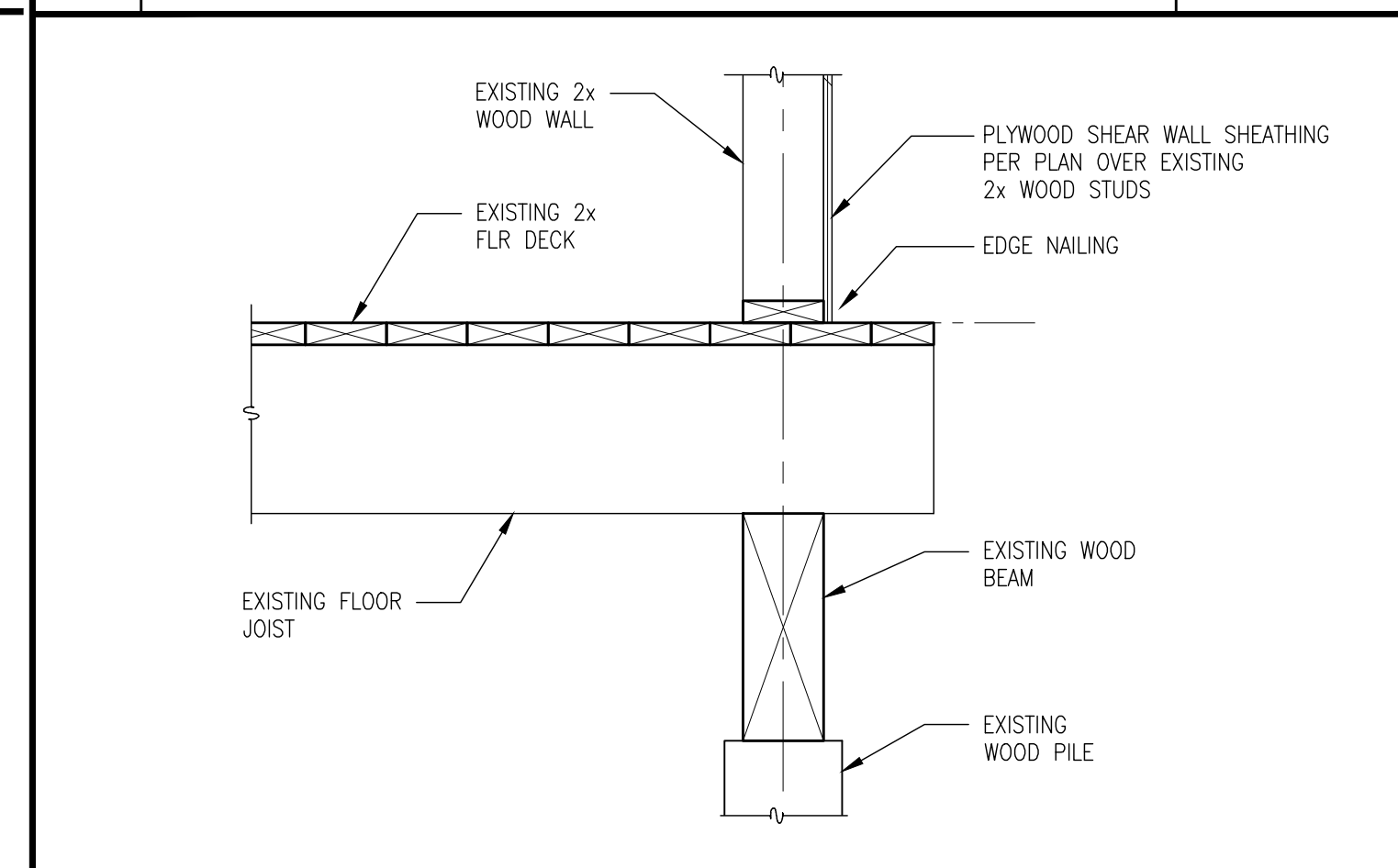
1 FRAMING DETAIL SCALE: 1" = 1'-0"



2 FRAMING DETAIL SCALE: 1" = 1'-0"



3 FRAMING DETAIL SCALE: 1" = 1'-0"



1 FRAMING DETAIL SCALE: 1" = 1'-0"

STRUCTURAL ENGINEERS
 400 S. Atlantic Ave, Suite 106
 Ormond Beach, FL 32176
 Office: (386) 672-1214
 Fax: (386) 672-1421
JOHN SIMKO
 STRUCTURAL ENGINEER
 FLORIDA 30122
 msstructural@cfl.rr.com

LICENSE STAMP

TO THE BEST OF MY KNOWLEDGE THESE PLANS ARE IN ACCORDANCE WITH THE LATEST EDITION OF THE 2007 FLORIDA BUILDING CODE WITH 2009 SUPPLEMENTS

REVISIONS

NO.	DATE	BY	DESCRIPTION

PROJECT
 2007 FBC WIND DESIGN UPDATE FOR:
DAYTONA BEACH PIER
MAIN STREET
 DAYTONA BEACH, FLORIDA

DRAWING TITLE
 FRAMING DETAILS

JOB NO.	10-010
SCALE	AS NOTED
DRAWN	JJB
CHECKED	JPS
DATE	7/1/10
SHEET NUMBER	

SD3.0