

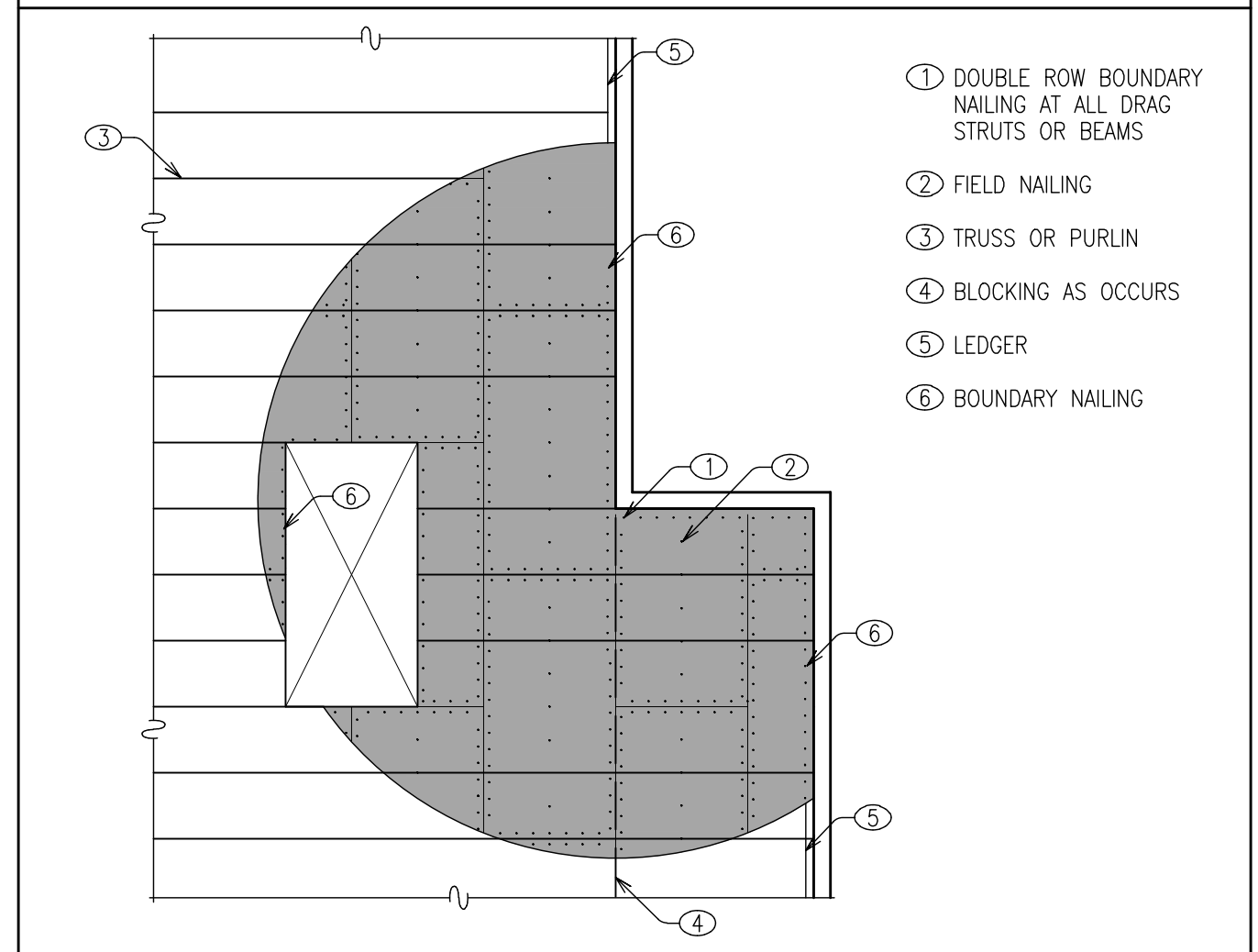
SKYLounge ROOF FRAMING PLAN
Scale: 1/8" = 1'-0"
NORTH

SHEAR WALL SCHEDULE

- STUD SPACING 16" OC MAX. STUDS AND BLOCKING AT EDGES SHALL BE 2X NOMINAL. AT SHEAR WALL SW16 OR LARGER WHERE PANELS ARE APPLIED TO BOTH SIDES OF WALL, OFFSET PANELS EDGES TO FALL ON DIFFERENT FRAMING OR USE 3X STUDS AND BLOCKING AT PANEL EDGES. SEE TYPICAL SHEAR WALL DETAIL FOR MORE INFORMATION.
- PROVIDE FULL HEIGHT DOUBLE STUDS AT ENDS OF SHEAR WALL, UNLESS NOTED AS POST ON PLANS OR DETAILS. HOLD-DOWNS AS SPECIFIED ON PLAN SHALL BE ATTACHED TO DOUBLE STUD OR POST PER DETAILS AND MFR RECOMMENDATIONS. SHEAR WALLS SW1 THRU SW6 MAY BE CONSTRUCTED WITH ONE END STUD, PROVIDED WALL LENGTH EXCEEDS 8'-0" AND HOLD-DOWNS ARE NOT SPECIFIED AT ENDS. TRIMMER STUD MAY BE USED AS END STUD AT NON-BEARING WALLS ONLY. STAGGER EDGE NAILING AT DOUBLE STUDS AND 3X MEMBERS. FACE NAIL DOUBLE STUD WITH (2) 16d AT 16" OC.
- INSTALL PANELS EITHER HORIZ OR VERT, GYPBOARD PANELS LESS THAN 4 FOOT WIDE SHALL BE PLACED ACROSS STUDS. STAGGER VERTICAL JOINTS AT GYPBOARD.
- PROVIDE CONT DOUBLE 2X TOP PLATE AT ALL SHEAR WALLS, EXTERIOR WALLS AND BEARING WALLS. LAP SPLICE TOP PLATE PER TYPICAL DETAIL.
- ANCHOR BOLTS AT FOUNDATION PER GENERAL STRUCTURAL NOTES, DETAILS, AND SCHEDULE. FOR OPTIONAL SHOT-PIN OR LEVEL DRILLED BOLTS, SEE GENERAL STRUCTURAL NOTES. NAILS OR SCREWS SHALL BE STAGGERED AT SILL PLATE ATTACHMENT AT UPPER SHEAR WALLS.
- WHERE NOTED ON PLAN, SHEAR WALLS SHALL EXTEND BETWEEN OPENINGS OR CORNER OF WALL UNLESS LENGTH IS NOTED. SHEATHING NOT TO BE INTERRUPTED BY INTERSECTING WALLS EXCEPT FOR GYPBOARD SHEAR WALLS SW1 THRU SW6.
- MIN NAIL DIMENSIONS SHALL BE AS FOLLOWS: 3/8" MIN NAIL SPACING FROM PANEL, STUD OR BLOCK EDGE. GYPBOARD NAILS SHALL BE WALLBOARD, COOLER OR OTHER. SCREW ALTERNATE, #6 BUGLE HEAD SCREW WITH SAME SPACING AND LENGTH PERMITTED AT GYPBOARD. DO NOT SUBSTITUTE STAPLES WITHOUT WRITTEN APPROVAL OF ENGINEER.
5d WALLBOARD = 0.086" DIAx1-5/8" LONGx15/32" HEAD 8d COMMON = 0.131" DIAx2-1/2" LONG
6d WALLBOARD = 0.0915" DIAx1-7/8" LONGx19/32" HEAD 10d COMMON = 0.148" DIAx3" MIN LONG
- 7/16" OR 15/32" PLYWOOD MAY BE SUBSTITUTED FOR 3/8" PLYWOOD WITHOUT CAPACITY INCREASE. ORIENTED STRAND BOARD (OSB) MAY BE SUBSTITUTED FOR PLYWOOD PER GENERAL STRUCTURAL NOTES

MARK	SHEATHING MATERIAL	EDGE NAILING	FIELD NAILING	SILL PLATE ANCHOR BOLT AT FDN
				SILL PLATE NAIL AT FLOOR
SW1	19/32" PLYWOOD BLOCKED ONE SIDE OF WALL	10d RINGSHANK AT 4" OC	10d RINGSHANK AT 12" OC	1/2" DIA AB AT 20" OC 1/4" x 4 SCREW AT 5" OC OR 3/8" x 6" LAG SCREW AT 12" OC

ROOF NAILING SCHEDULE



- NOTES:**
- TYP NAILING PATTERN SHALL BE TYPE "N1" UNO
 - FIELD NAILING SHALL BE AT 12" OC TYP. MATCH OTHER NAIL SIZE
 - SUBSTITUTION OF ALTERNATE NAILS OR STAPLES NOT PERMITTED W/O PRIOR WRITTEN APPROVAL OF ENGINEER

MARK	BOUNDARIES	PANEL EDGES	REMARKS
N1	8d COMMON AT 6" OC	8d COMMON AT 6" OC	UNBLOCKED DIAPHRAGM
N2	8d COMMON AT 4" OC	8d COMMON AT 6" OC	BLOCKING REQUIRED AT ALL PANEL EDGES

ROOF FRAMING NOTES

- ROOF DECKING TO BE: 19/32" C-D PLYWOOD PER GSN. SECURE WITH #10 RINGSHANK NAILS AT 4" OC EDGES AND 12" OC FIELD AND BOUNDARY.
- "D =" INDICATES DRAG LOAD (TENSION OR COMPRESSION) DUE TO WIND OR SEISMIC. MFR SHALL DESIGN FOR INDICATED LOAD IN APPROPRIATE LOAD COMBO. TRUSS AND DRAG LOAD SHALL BE SPECIFICALLY LOCATED WHERE SHOWN ON PLAN AND DETAIL TO ALLOW LOAD TRANSFER TO ADJACENT DRAG TRUSS, WALL OR STRAP.
- ROOF SLOPE AND CRICKET AREAS PER ARCHITECTURAL.
- ROOF JOISTS AT MECHANICAL UNITS SHALL BE DESIGNED TO SUPPORT THE UNIT WEIGHT SHOWN ON THE DRAWINGS. VERIFY UNIT WEIGHT WITH FINAL MECHANICAL PRIOR TO JOIST DESIGN AND FABRICATION. PREFAB ROOF JOISTS TO BE DESIGNED FOR TOTAL LOAD DEFLECTION OF L/240 AND LIVE LOAD DEFLECTION OF L/360.
- ALL TRUSSES TO BE ANCHORED TO BEAM WITH SIMPSON H10A CONNECTORS MINIMUM. VERIFY LOADING ON TRUSS SHOP DRAWINGS.



STRUCTURAL ENGINEERS

400 S. Atlantic Ave,
Suite 106
Ormond Beach, FL 32176
Office: (386) 672-1214
Fax: (386) 672-1421
JOHN SIMKO
STRUCTURAL ENGINEER
FLORIDA 30122

msstructural@cfl.rr.com

LICENSE STAMP

TO THE BEST OF MY KNOWLEDGE THESE PLANS ARE IN ACCORDANCE WITH THE LATEST EDITION OF THE 2007 FLORIDA BUILDING CODE WITH 2009 SUPPLEMENTS

REVISIONS

NO.	DATE	BY	DESCRIPTION

PROJECT
2007 FBC WIND DESIGN UPDATE FOR:
DAYTONA BEACH PIER
MAIN STREET
DAYTONA BEACH, FLORIDA

DRAWING TITLE
SKYLounge ROOF FRAMING PLAN

JOB NO. 10-010
SCALE AS NOTED
DRAWN JJB
CHECKED JPS
DATE 7/1/10

SHEET NUMBER
S2.5