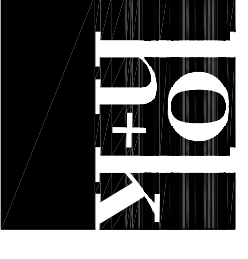


Project
Humana Daytona Market
Office
148 EXECUTIVE CIRCLE
DAYTONA, FL 32114

Prepared For
Humana, Inc.
Client Location

Contract No.: 10.01698.00



HOK
271 Broadway, Suite 270
St. Louis, MO 63110 USA
T +1 314 421 2000 F +1 314 421 6073

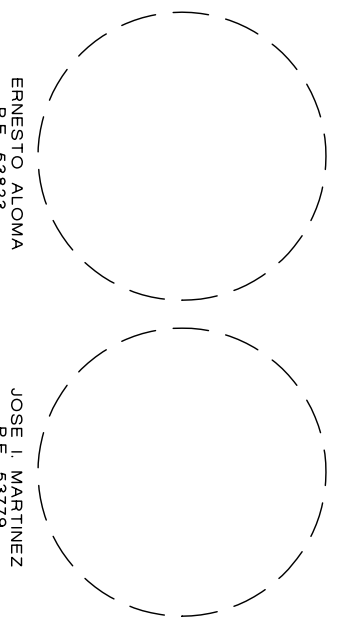
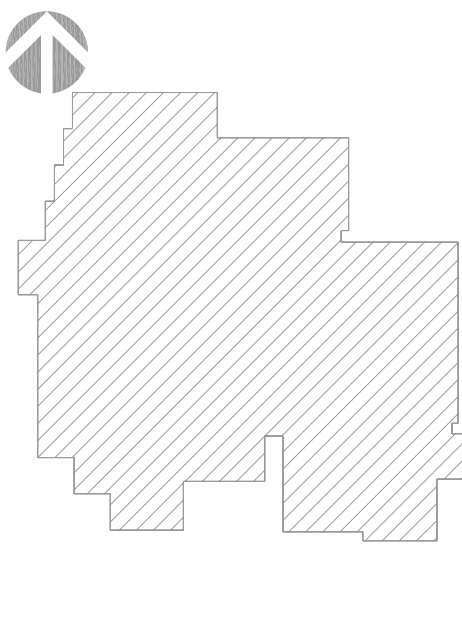
FL Reg. MA001139

AN AFFILIATION OF THE INTERNATIONAL ASSOCIATION OF ARCHITECTS © 2011



SDM Consulting Engineers
2501 Pappas Avenue
Coral Gables, FL 33134
P: 305 446 2788
F: 305 446 2789
www.sdmcpe.com
EB-00003791

Key Plan

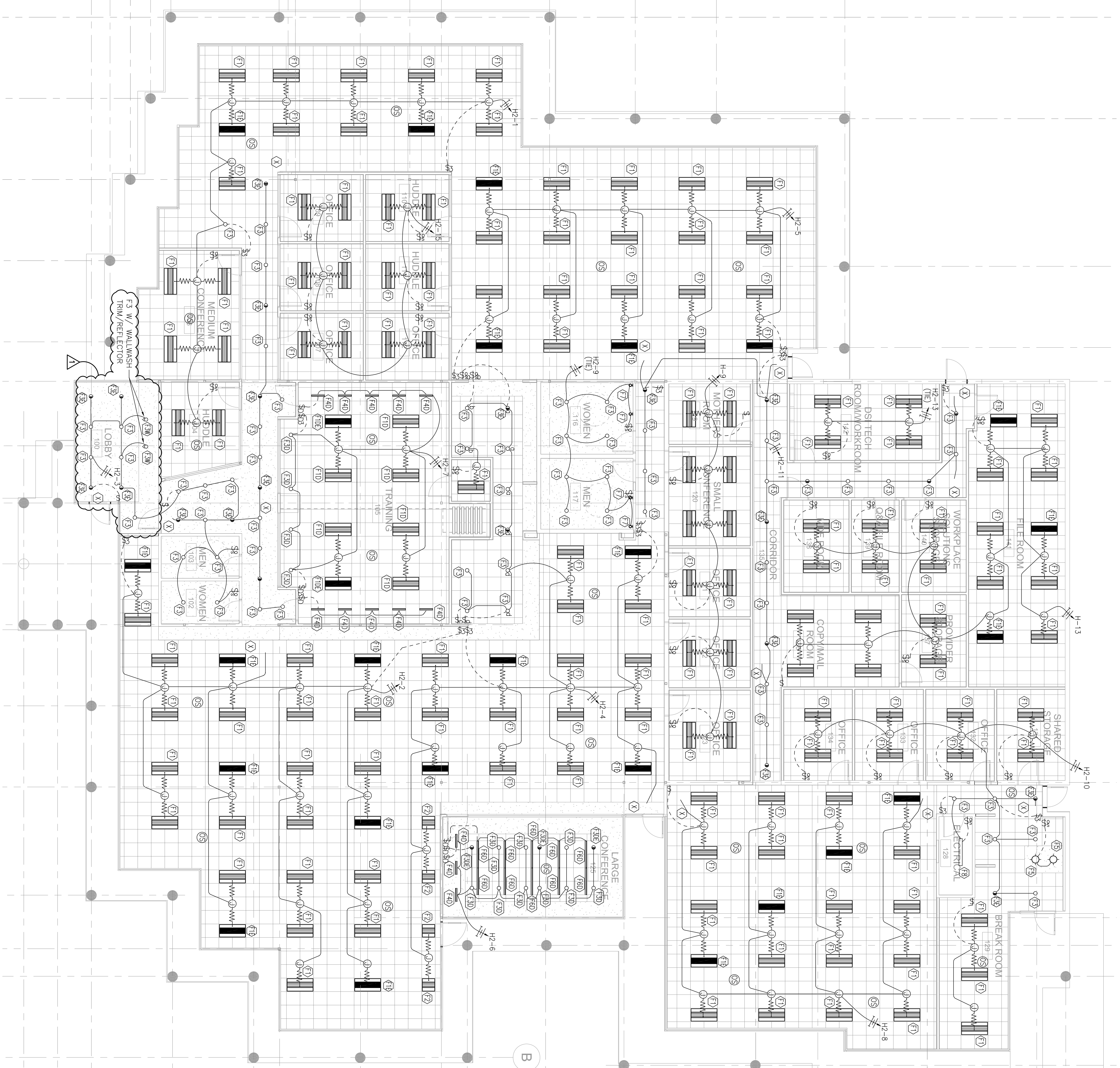


No. Revision Description
1 BULLETIN 2 VVVV-AM-00 01.26.12
2 ISSUE FOR BID & PERMIT 12.14.11

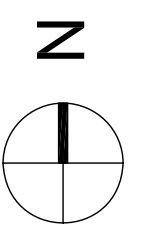
Drawn by: Author
Reviewed by: Checker
Project No.: 10.01698.00

**LIGHTING PLAN
AND FIXTURE
SCHEDULE**

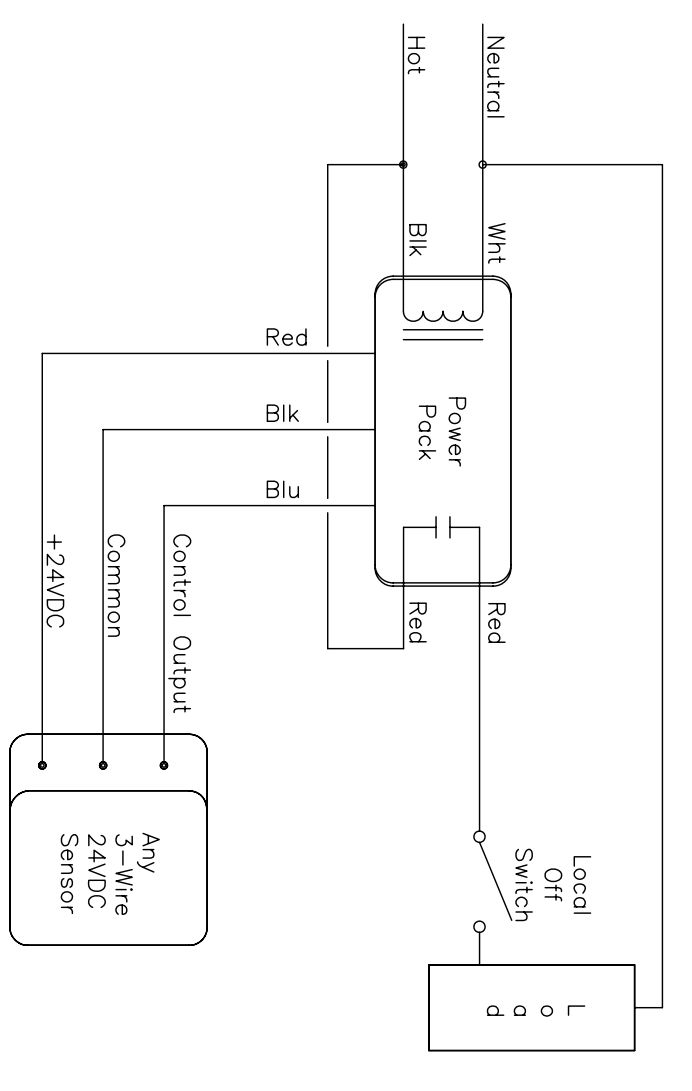
Original Drawing is 24" x 36" On 100% Scale. Contents of this Drawing
Sheet Number **E301**



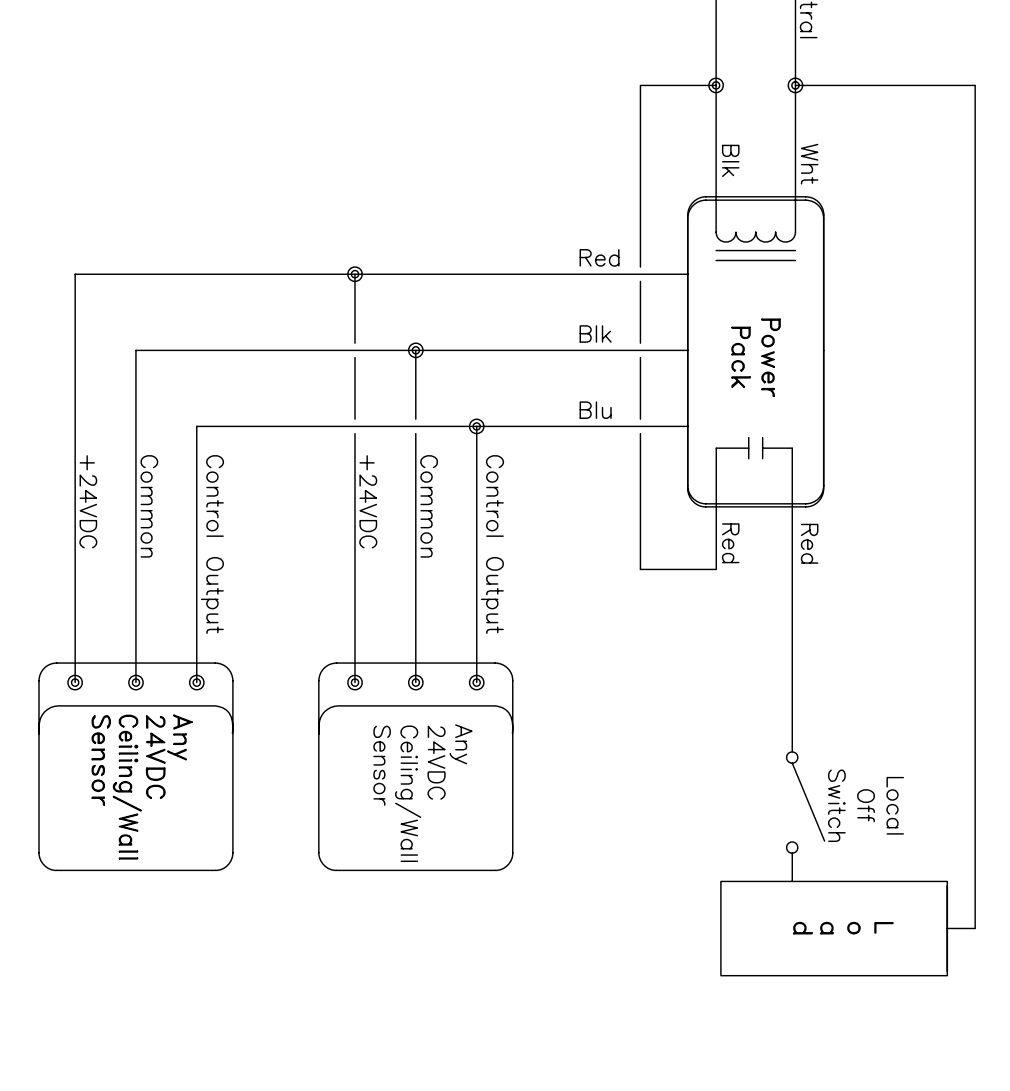
1 LIGHTING PLAN



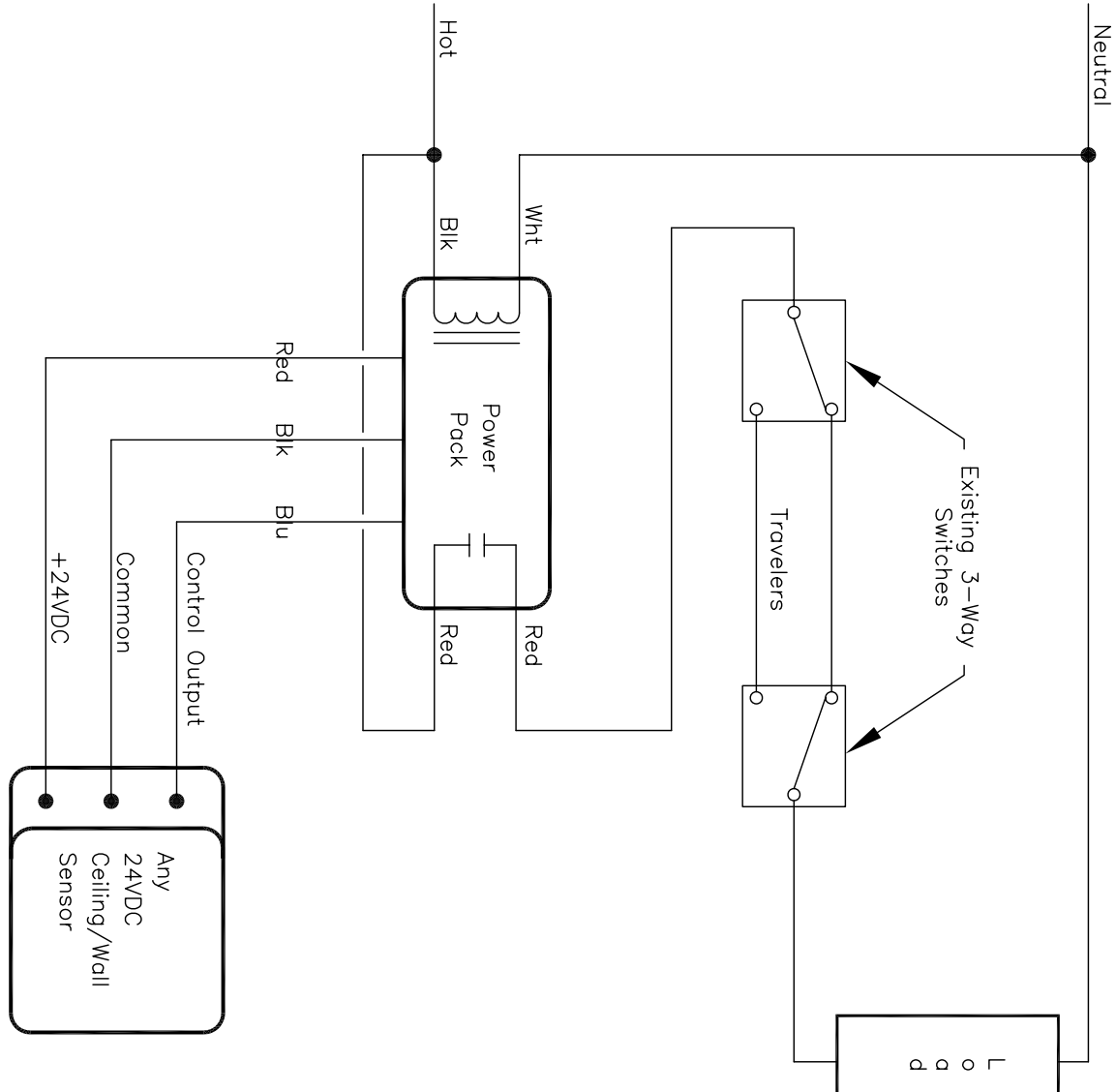
**4 OCCUPANCY SENSOR
DETAIL**



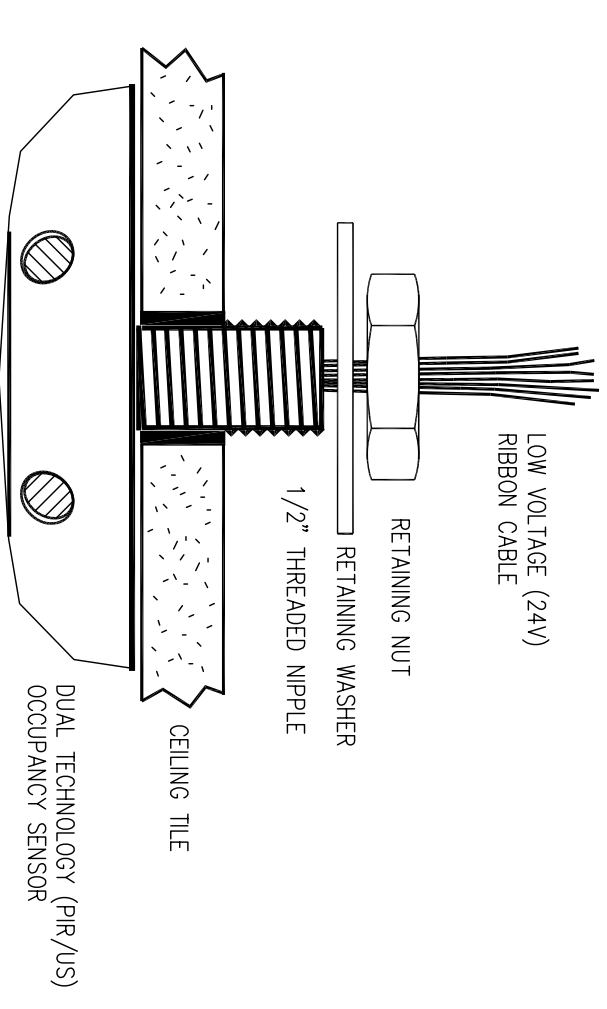
**3 MULTIPLE OCCUPANCY SENSOR
USING ONE POWER PACK**



**2 CEILING SENSOR WITH
3-WAY SWITCHING**



**5 CEILING OCCUPANCY SENSOR
MOUNTING DIAGRAM**



DO NOT MOUNT SENSOR HIGHER THAN 14'-0" AFF

LIGHTING FIXTURE SCHEDULE

TYPE	MANUFACTURER	CATALOG NUMBER	QUANTITY	VOLTS	MOUNTING	REMARKS
F1	LIPTON	Q7509F-232-UW-S0	2	120	RECESSED	2' X 4' FLUORESCENT
F2	LIPTON	Q7509F-232-UW-S0-EM	2	120	RECESSED	2' X 4' FLUORESCENT WITH 1400 LUMENS EMERGENCY BATTERY
F3	LIPTON	Q7509F-232-UW-S0	2	120	RECESSED	2' X 4' FLUORESCENT WITH DIMMING BALLAST
F4	LIPTON	Q7509F-232-UW-S0-EM	2	120	RECESSED	2' X 4' FLUORESCENT WITH DIMMING BALLAST & EMERGENCY BATTERY PACK
F5	LIPTON	Q7509F-217-UW-S0	2	120	RECESSED	2' X 2' FLUORESCENT
F6	LIPTON	6RFGW-E4	1	120	RECESSED	DOWNLIGHT
F7	LIPTON	6RFGW-E4	1	120	RECESSED	DOWNLIGHT WITH EMERGENCY BATTERY PACK
F8	LIPTON	6RFGW-E4	1	120	RECESSED	DOWNLIGHT WITH DIMMING BALLAST
F9	LIPTON	6RFGW-D1-EM	1	120	RECESSED	DOWNLIGHT AND EMERGENCY BATTERY PACK
F10	LIPTON	6RFGW-D1-EM	1	120	RECESSED	DOWNLIGHT WITH DIMMING BALLAST
F11	LIPTON	FAWA-1C-175-S-2	1	120	RECESSED	FLUORESCENT LINEAR DIRECT
F12	LIPTON	FAWA-1C-175-S-2	1	120	RECESSED	FLUORESCENT LINEAR DIRECT
F13	LIPTON	FAWA-1C-175-S-2	1	120	RECESSED	FLUORESCENT LINEAR DIRECT WITH DIMMING BALLAST
F14	LIPTON	FAWA-1C-175-S-2	1	120	RECESSED	FLUORESCENT LINEAR DIRECT WITH DIMMING BALLAST
F15	LIPTON	FAWA-1C-175-S-2	1	120	RECESSED	FLUORESCENT LINEAR DIRECT WITH DIMMING BALLAST
F16	LIPTON	FAWA-1C-175-S-2	1	120	RECESSED	FLUORESCENT LINEAR DIRECT WITH DIMMING BALLAST
F17	LIPTON	FAWA-1C-175-S-2	1	120	RECESSED	FLUORESCENT LINEAR DIRECT WITH DIMMING BALLAST
F18	LIPTON	FAWA-1C-175-S-2	1	120	RECESSED	FLUORESCENT LINEAR DIRECT WITH DIMMING BALLAST
F19	LIPTON	FAWA-1C-175-S-2	1	120	RECESSED	FLUORESCENT LINEAR DIRECT WITH DIMMING BALLAST
F20	LIPTON	FAWA-1C-175-S-2	1	120	RECESSED	FLUORESCENT LINEAR DIRECT WITH DIMMING BALLAST
F21	LIPTON	FAWA-1C-175-S-2	1	120	RECESSED	FLUORESCENT LINEAR DIRECT WITH DIMMING BALLAST
F22	LIPTON	FAWA-1C-175-S-2	1	120	RECESSED	FLUORESCENT LINEAR DIRECT WITH DIMMING BALLAST
F23	LIPTON	FAWA-1C-175-S-2	1	120	RECESSED	FLUORESCENT LINEAR DIRECT WITH DIMMING BALLAST
F24	LIPTON	FAWA-1C-175-S-2	1	120	RECESSED	FLUORESCENT LINEAR DIRECT WITH DIMMING BALLAST
F25	LIPTON	FAWA-1C-175-S-2	1	120	RECESSED	FLUORESCENT LINEAR DIRECT WITH DIMMING BALLAST
F26	LIPTON	FAWA-1C-175-S-2	1	120	RECESSED	FLUORESCENT LINEAR DIRECT WITH DIMMING BALLAST
F27	LIPTON	FAWA-1C-175-S-2	1	120	RECESSED	FLUORESCENT LINEAR DIRECT WITH DIMMING BALLAST
F28	LIPTON	FAWA-1C-175-S-2	1	120	RECESSED	FLUORESCENT LINEAR DIRECT WITH DIMMING BALLAST
F29	LIPTON	FAWA-1C-175-S-2	1	120	RECESSED	FLUORESCENT LINEAR DIRECT WITH DIMMING BALLAST
F30	LIPTON	FAWA-1C-175-S-2	1	120	RECESSED	FLUORESCENT LINEAR DIRECT WITH DIMMING BALLAST
F31	LIPTON	FAWA-1C-175-S-2	1	120	RECESSED	FLUORESCENT LINEAR DIRECT WITH DIMMING BALLAST
F32	LIPTON	FAWA-1C-175-S-2	1	120	RECESSED	FLUORESCENT LINEAR DIRECT WITH DIMMING BALLAST
F33	LIPTON	FAWA-1C-175-S-2	1	120	RECESSED	FLUORESCENT LINEAR DIRECT WITH DIMMING BALLAST
F34	LIPTON	FAWA-1C-175-S-2	1	120	RECESSED	FLUORESCENT LINEAR DIRECT WITH DIMMING BALLAST
F35	LIPTON	FAWA-1C-175-S-2	1	120	RECESSED	FLUORESCENT LINEAR DIRECT WITH DIMMING BALLAST
F36	LIPTON	FAWA-1C-175-S-2	1	120	RECESSED	FLUORESCENT LINEAR DIRECT WITH DIMMING BALLAST
F37	LIPTON	FAWA-1C-175-S-2	1	120	RECESSED	FLUORESCENT LINEAR DIRECT WITH DIMMING BALLAST
F38	LIPTON	FAWA-1C-175-S-2	1	120	RECESSED	FLUORESCENT LINEAR DIRECT WITH DIMMING BALLAST
F39	LIPTON	FAWA-1C-175-S-2	1	120	RECESSED	FLUORESCENT LINEAR DIRECT WITH DIMMING BALLAST
F40	LIPTON	FAWA-1C-175-S-2	1	120	RECESSED	FLUORESCENT LINEAR DIRECT WITH DIMMING BALLAST
F41	LIPTON	FAWA-1C-175-S-2	1	120	RECESSED	FLUORESCENT LINEAR DIRECT WITH DIMMING BALLAST
F42	LIPTON	FAWA-1C-175-S-2	1	120	RECESSED	FLUORESCENT LINEAR DIRECT WITH DIMMING BALLAST
F43	LIPTON	FAWA-1C-175-S-2	1	120	RECESSED	FLUORESCENT LINEAR DIRECT WITH DIMMING BALLAST
F44	LIPTON	FAWA-1C-175-S-2	1	120	RECESSED	FLUORESCENT LINEAR DIRECT WITH DIMMING BALLAST
F45	LIPTON	FAWA-1C-175-S-2	1	120	RECESSED	FLUORESCENT LINEAR DIRECT WITH DIMMING BALLAST
F46	LIPTON	FAWA-1C-175-S-2	1	120	RECESSED	FLUORESCENT LINEAR DIRECT WITH DIMMING BALLAST
F47	LIPTON	FAWA-1C-175-S-2	1	120	RECESSED	FLUORESCENT LINEAR DIRECT WITH DIMMING BALLAST
F48	LIPTON	FAWA-1C-175-S-2	1	120	RECESSED	FLUORESCENT LINEAR DIRECT WITH DIMMING BALLAST
F49	LIPTON	FAWA-1C-175-S-2	1	120	RECESSED	FLUORESCENT LINEAR DIRECT WITH DIMMING BALLAST
F50	LIPTON	FAWA-1C-175-S-2	1	120	RECESSED	FLUORESCENT LINEAR DIRECT WITH DIMMING BALLAST
F51	LIPTON	FAWA-1C-175-S-2	1	120	RECESSED	FLUORESCENT LINEAR DIRECT WITH DIMMING BALLAST
F52	LIPTON	FAWA-1C-175-S-2	1	120	RECESSED	FLUORESCENT LINEAR DIRECT WITH DIMMING BALLAST
F53	LIPTON	FAWA-1C-175-S-2	1	120	RECESSED	FLUORESCENT LINEAR DIRECT WITH DIMMING BALLAST
F54	LIPTON	FAWA-1C-175-S-2	1	120	RECESSED	FLUORESCENT LINEAR DIRECT WITH DIMMING BALLAST
F55	LIPTON	FAWA-1C-175-S-2	1	120	RECESSED	FLUORESCENT LINEAR DIRECT WITH DIMMING BALLAST
F56	LIPTON	FAWA-1C-175-S-2	1	120	RECESSED	FLUORESCENT LINEAR DIRECT WITH DIMMING BALLAST
F57	LIPTON	FAWA-1C-175-S-2	1	120	RECESSED	FLUORESCENT LINEAR DIRECT WITH DIMMING BALLAST
F58	LIPTON	FAWA-1C-175-S-2	1	120	RECESSED	FLUORESCENT LINEAR DIRECT WITH DIMMING BALLAST
F59	LIPTON	FAWA-1C-175-S-2	1	120	RECESSED	FLUORESCENT LINEAR DIRECT WITH DIMMING BALLAST
F60	LIPTON	FAWA-1C-175-S-2	1	120	RECESSED	FLUORESCENT LINEAR DIRECT WITH DIMMING BALLAST
F61	LIPTON	FAWA-1C-175-S-2	1	120	RECESSED	FLUORESCENT LINEAR DIRECT WITH DIMMING BALLAST
F62	LIPTON	FAWA-1C-175-S-2	1	120	RECESSED	FLUORESCENT LINEAR DIRECT WITH DIMMING BALLAST
F63	LIPTON	FAWA-1C-175-S-2	1	120	RECESSED	FLUORESCENT LINEAR DIRECT WITH DIMMING BALLAST
F64	LIPTON	FAWA-1C-175-S-2	1	120	RECESSED	FLUORESCENT LINEAR DIRECT WITH DIMMING BALLAST
F65	LIPTON	FAWA-1C-175-S-2	1	120	RECESSED	FLUORESCENT LINEAR DIRECT WITH DIMMING BALLAST
F66	LIPTON	FAWA-1C-175-S-2	1	120	RECESSED	FLUORESCENT LINEAR DIRECT WITH DIMMING BALLAST
F67	LIPTON	FAWA-1C-175-S-2	1	120	RECESSED	FLUORESCENT LINEAR DIRECT WITH DIMMING BALLAST
F68	LIPTON	FAWA-1C-175-S-2	1	120	RECESSED	FLUORESCENT LINEAR DIRECT WITH DIMMING BALLAST
F69	LIPTON	FAWA-1C-175-S-2	1	120	RECESSED	FLUORESCENT LINEAR DIRECT WITH DIMMING BALLAST
F70	LIPTON	FAWA-1C-175-S-2	1	120	RECESSED	FLUORESCENT LINEAR DIRECT WITH DIMMING BALLAST
F71	LIPTON	FAWA-1C-175-S-2	1	120	RECESSED	FLUORESCENT LINEAR DIRECT WITH DIMMING BALLAST
F72	LIPTON	FAWA-1C-175-S-2	1	120	RECESSED	FLUORESCENT LINEAR DIRECT WITH DIMMING BALLAST
F73	LIPTON	FAWA-1C-175-S-2	1	120	RECESSED	FLUORESCENT LINEAR DIRECT WITH DIMMING BALLAST
F74	LIPTON	FAWA-1C-175-S-2	1	120	RECESSED	FLUORESCENT LINEAR DIRECT WITH DIMMING BALLAST
F75	LIPTON	FAWA-1C-175-S-2	1	120	RECESSED	FLUORESCENT LINEAR DIRECT WITH DIMMING BALLAST
F76	LIPTON	FAWA-1C-175-S-2	1	120	RECESSED	FLUORESCENT LINEAR DIRECT WITH DIMMING BALLAST
F77	LIPTON	FAWA-1C-175-S-2	1	120	RECESSED	FLUORESCENT LINEAR DIRECT WITH DIMMING BALLAST
F78	LIPTON	FAWA-1C-175-S-2	1	120	RECESSED	FLUORESCENT LINEAR DIRECT WITH DIMMING BALLAST
F79	LIPTON	FAWA-1C-175-S-2	1	120	RECESSED	FLUORESCENT LINEAR DIRECT WITH DIMMING BALLAST
F80	LIPTON	FAWA-1C-175-S-2	1	120	RECESSED	FLUORESCENT LINEAR DIRECT WITH DIMMING BALLAST
F81	LIPTON	FAWA-1C-175-S-2	1	120	RECESSED	FLUORESCENT LINEAR DIRECT WITH DIMMING BALLAST
F82	LIPTON	FAWA-1C-175-S-2	1	120	RECESSED	FLUORESCENT LINEAR DIRECT WITH DIMMING BALLAST
F83	LIPTON	FAWA-1C-175-S-2	1	120	RECESSED	FLUORESCENT LINEAR DIRECT WITH DIMMING BALLAST
F84	LIPTON	FAWA-1C-175-S-2	1	120	RECESSED	FLUORESCENT LINEAR DIRECT WITH DIMMING BALLAST
F85	LIPTON	FAWA-1C-175-S-2	1	120	RECESSED	FLUORESCENT LINEAR DIRECT WITH DIMMING BALLAST
F86	LIPTON	FAWA-1C-175-S-2	1	120	RECESSED	FLUORESCENT LINEAR DIRECT WITH DIMMING BALLAST
F87	LIPTON	FAWA-1C-175-S-2	1	120	RECESSED	FLUORESCENT LINEAR DIRECT WITH DIMMING BALLAST
F88	LIPTON	FAWA-1C-175-S-2	1	120	RECESSED	FLUORESCENT LINEAR DIRECT WITH DIMMING BALLAST
F89	LIPTON	FAWA-1C-175-S-2	1	120	RECESSED	FLUORESCENT LINEAR DIRECT WITH DIMMING BALLAST
F90	LIPTON	FAWA-1C-175-S-2	1	120	RECESSED	FLUORESCENT LINEAR DIRECT WITH DIMMING BALLAST
F91	LIPTON	FAWA-1C-175-S-2	1	120	RECESSED	FLUORESCENT LINEAR DIRECT WITH DIMMING BALLAST
F92	LIPTON	FAWA-1C-175-S-2	1	120	RECESSED	FLUORESCENT LINEAR DIRECT WITH DIMMING BALLAST
F93	LIPTON	FAWA-1C-175-S-2	1	120	RECESSED	FLUORESCENT LINEAR DIRECT WITH DIMMING BALLAST
F94	LIPTON	FAWA-1C-175-S-2	1	120	RECESSED	FLUORESCENT LINEAR DIRECT WITH DIMMING BALLAST
F95	LIPTON	FAWA-1C-175-S-2	1	120	RECESSED	FLUORESCENT LINEAR DIRECT WITH DIMMING BALLAST
F96	LIPTON	FAWA-1C-175-S-2	1	120	RECESSED	FLUORESCENT LINEAR DIRECT WITH DIMMING BALLAST
F97	LIPTON	FAWA-1C-175-S-2	1	120	RECESSED	FLUORESCENT LINEAR DIRECT WITH DIMMING BALLAST
F98	LIPTON	FAWA-1C-175-S-2	1	120	RECESSED	FLUORESCENT LINEAR DIRECT WITH DIMMING BALLAST
F99	LIPTON	FAWA-1C-175-S-2	1	120	RECESSED	FLUORESCENT LINEAR DIRECT WITH DIMMING BALLAST
F100	LIPTON	FAWA-1C-175-S-2	1	120	RECESSED	FLUORESCENT LINEAR DIRECT WITH DIMMING BALLAST