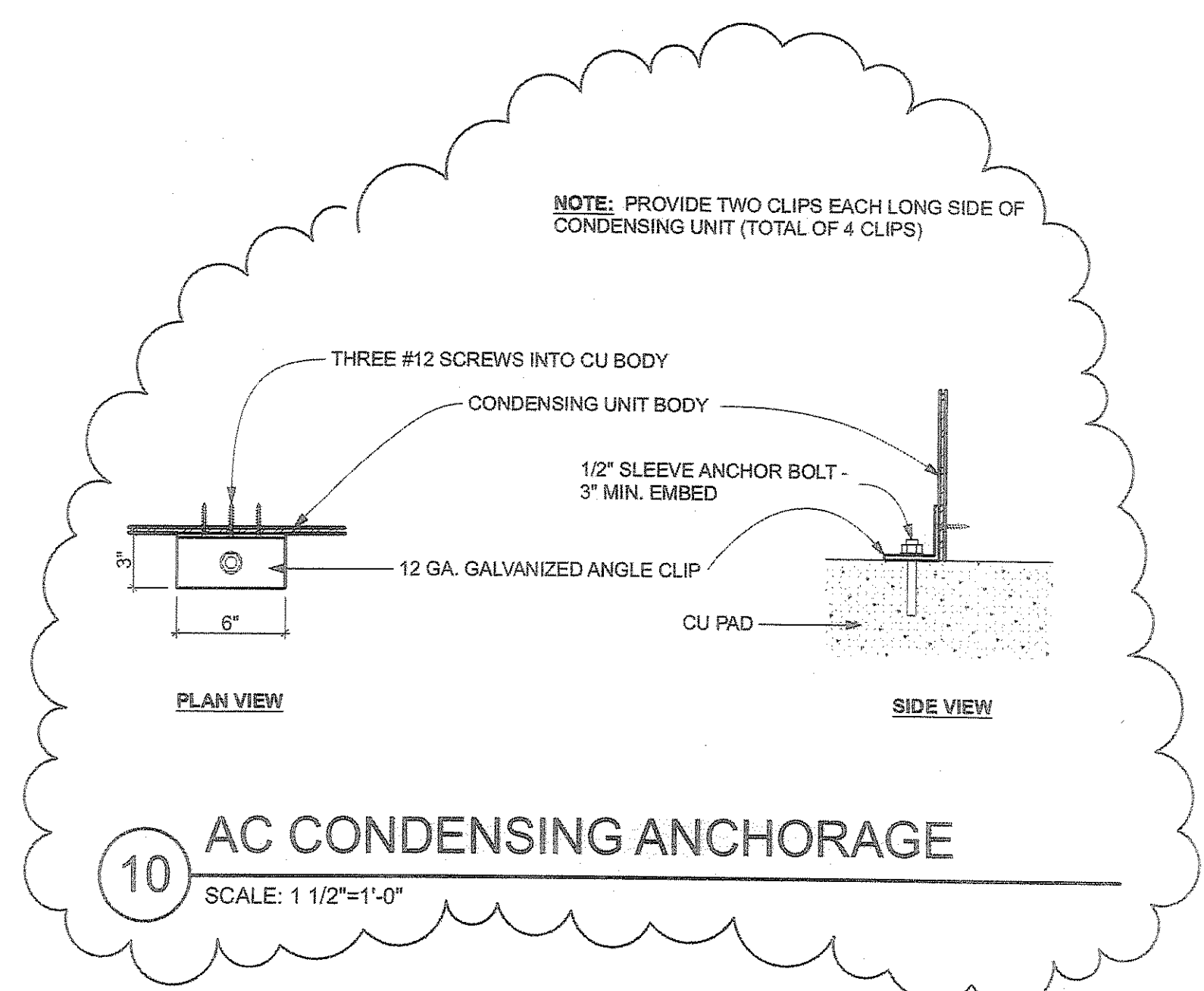
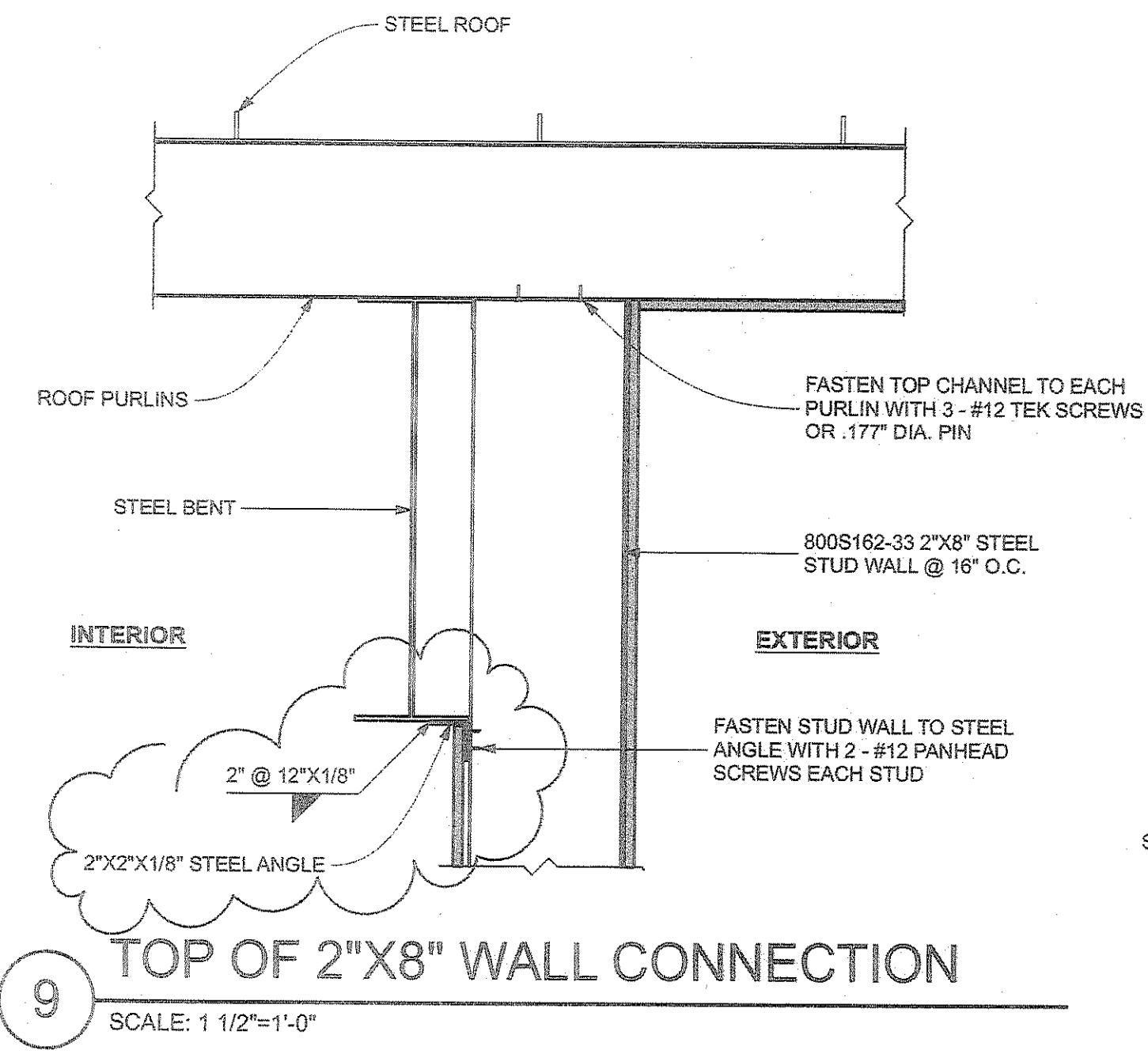


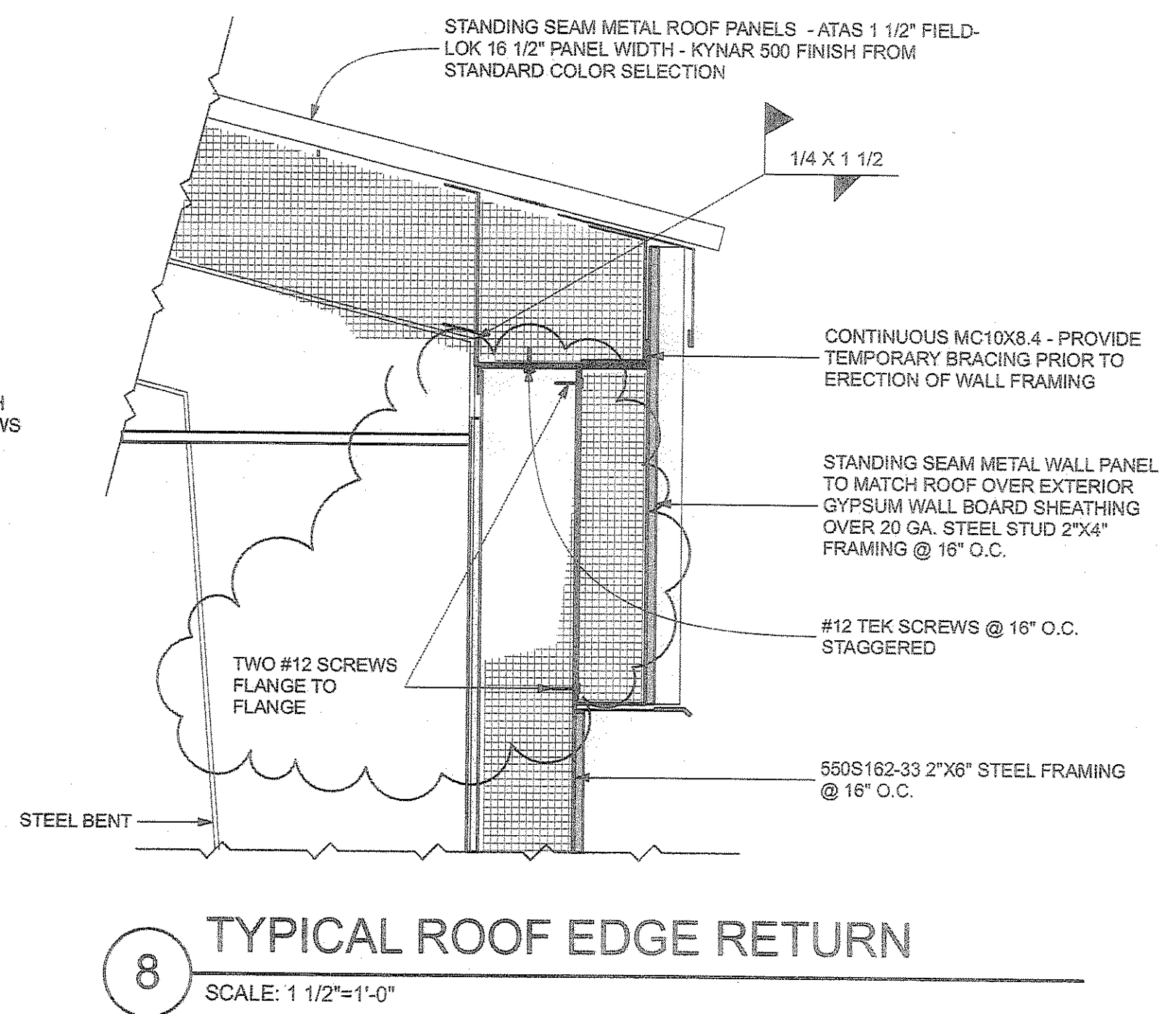
ALL IDEAS, DESIGNS, PLANS AND ARRANGEMENTS INDICATED ON THIS SHEET ARE THE PROPERTY OF KEVIN SCHWEIZER ARCHITECT, AND WERE CREATED, EVOLVED AND DEVELOPED FOR THIS SPECIFIC PROJECT.



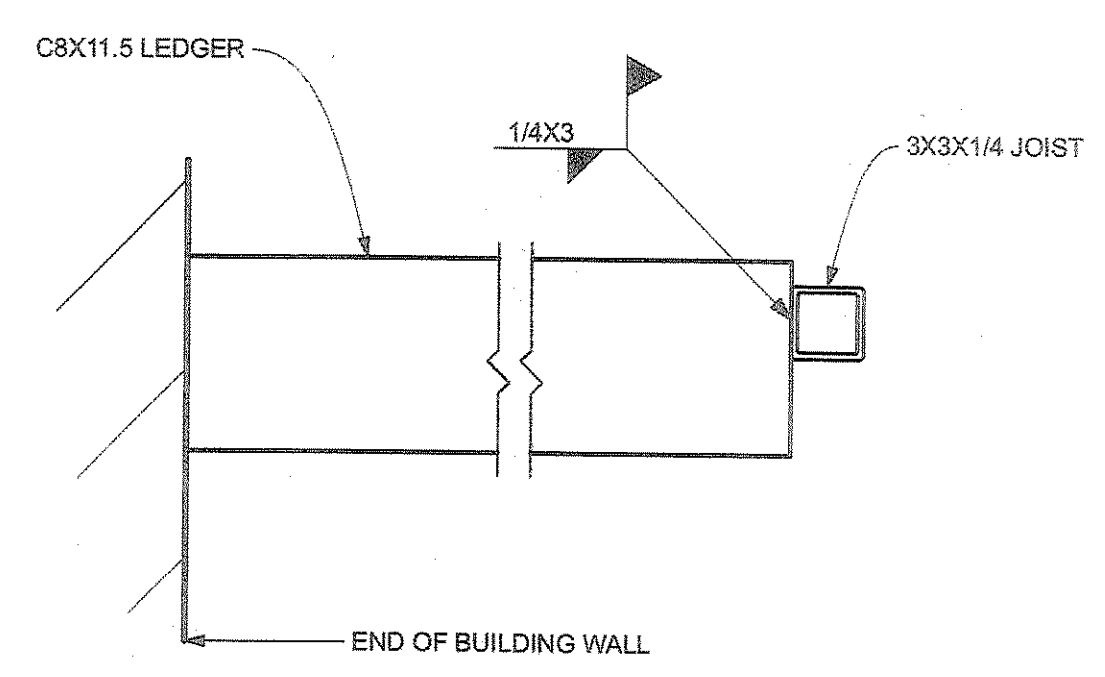
10 AC CONDENSING ANCHORAGE
 SCALE: 1 1/2"=1'-0"



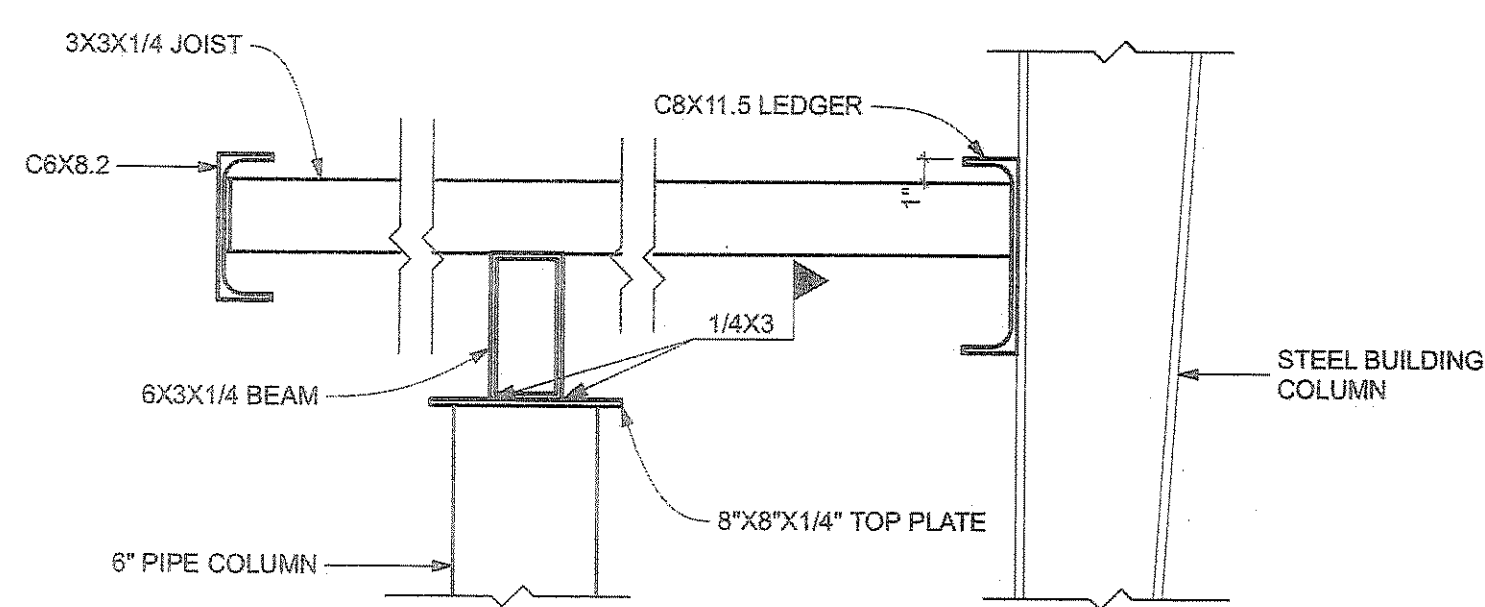
9 TOP OF 2"X8" WALL CONNECTION
 SCALE: 1 1/2"=1'-0"



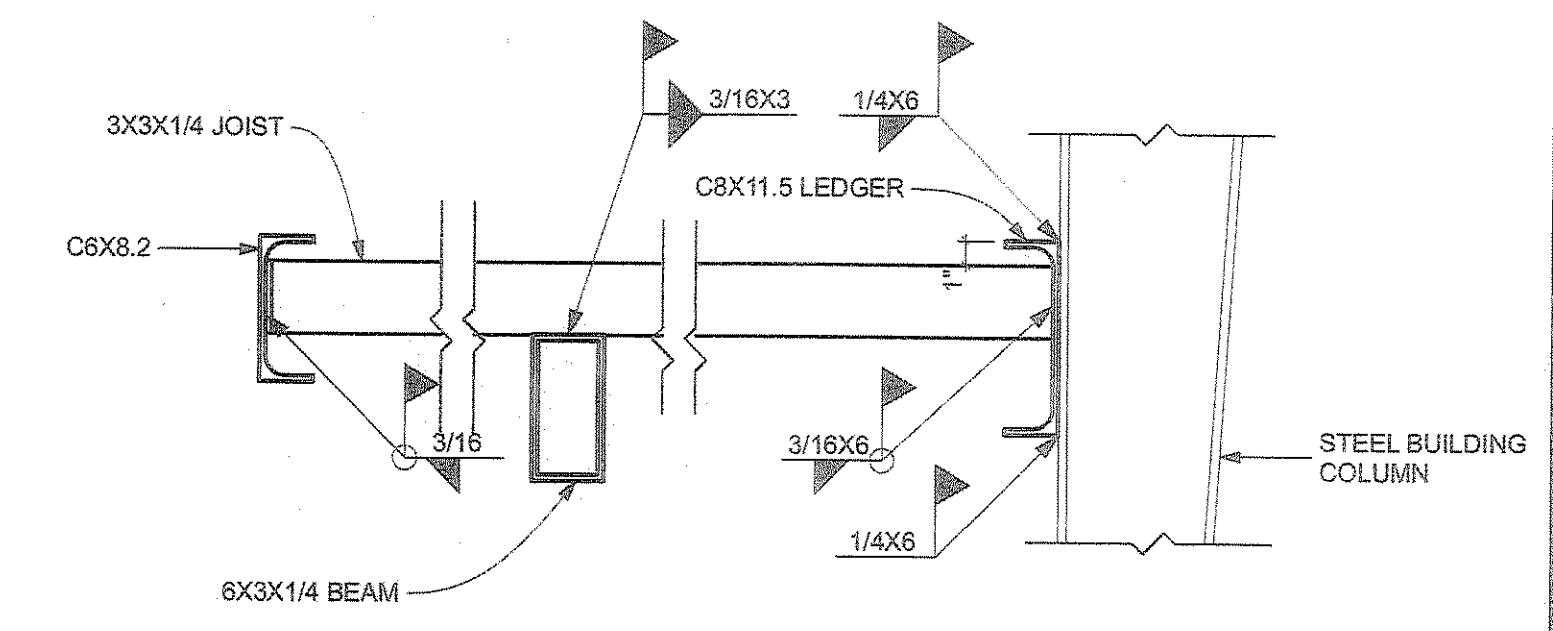
8 TYPICAL ROOF EDGE RETURN
 SCALE: 1 1/2"=1'-0"



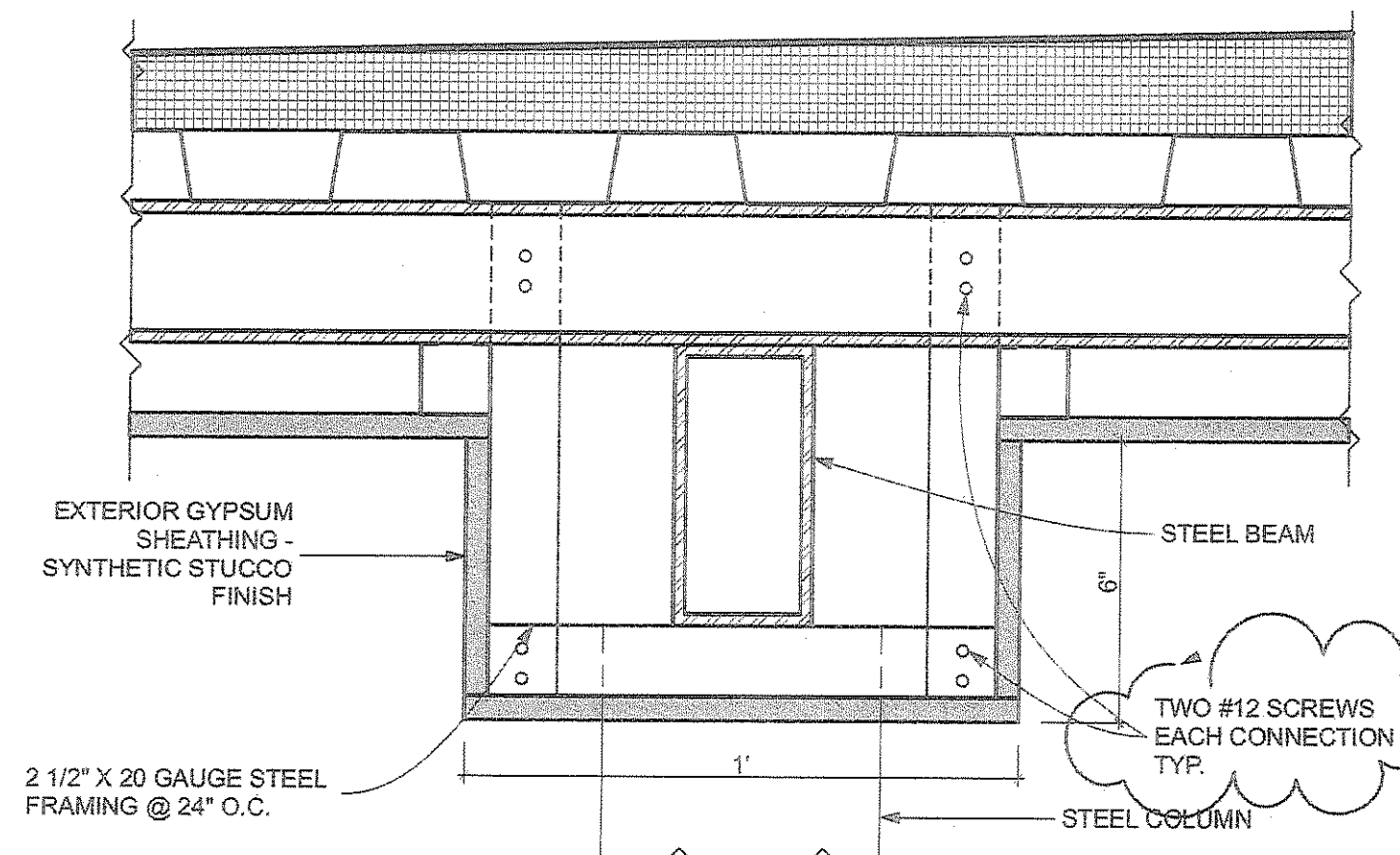
7 COVERED WALKWAY RETURN
 SCALE: 1 1/2"=1'-0"



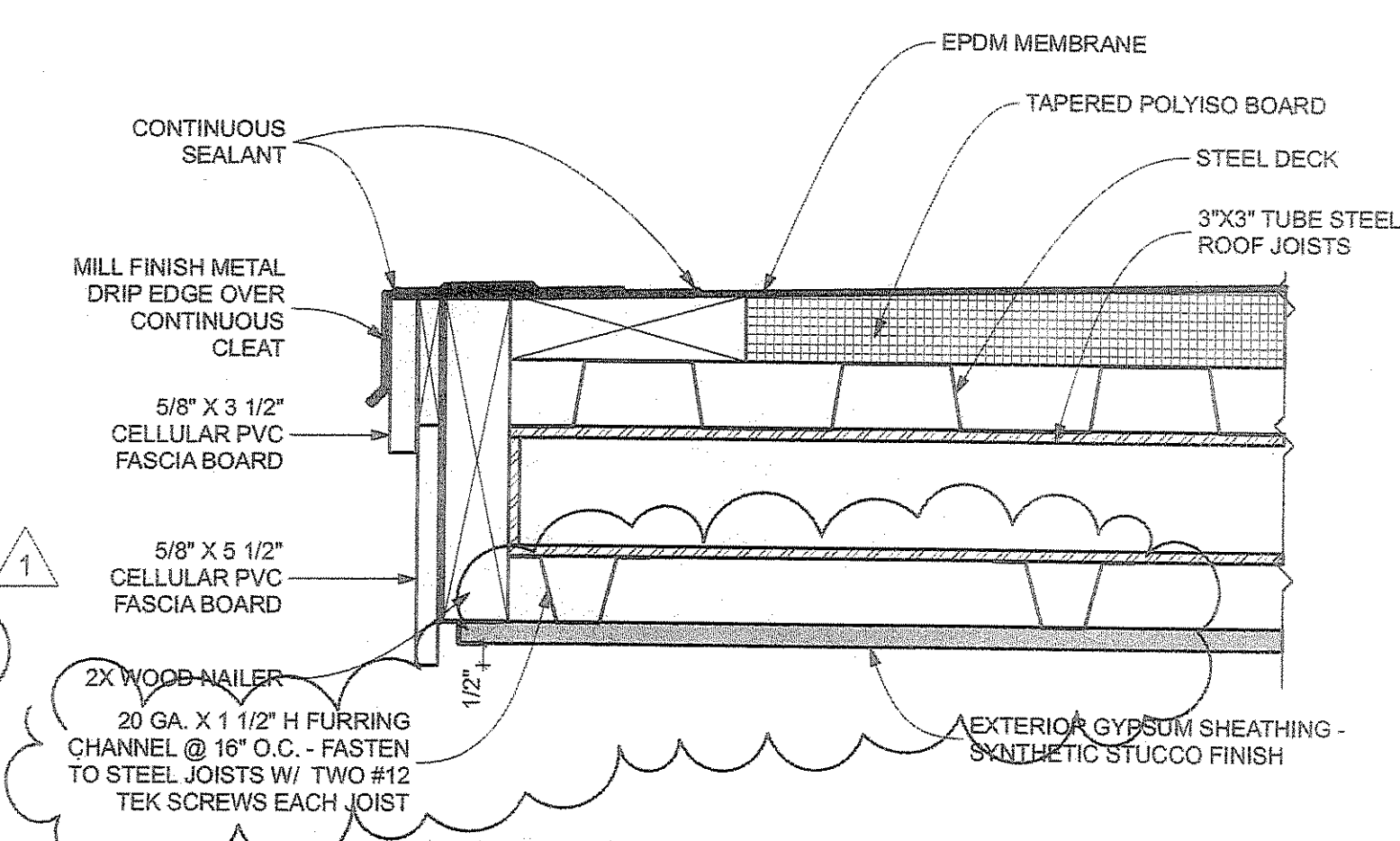
6 COVERED WALKWAY CONNECTIONS
 SCALE: 1 1/2"=1'-0"



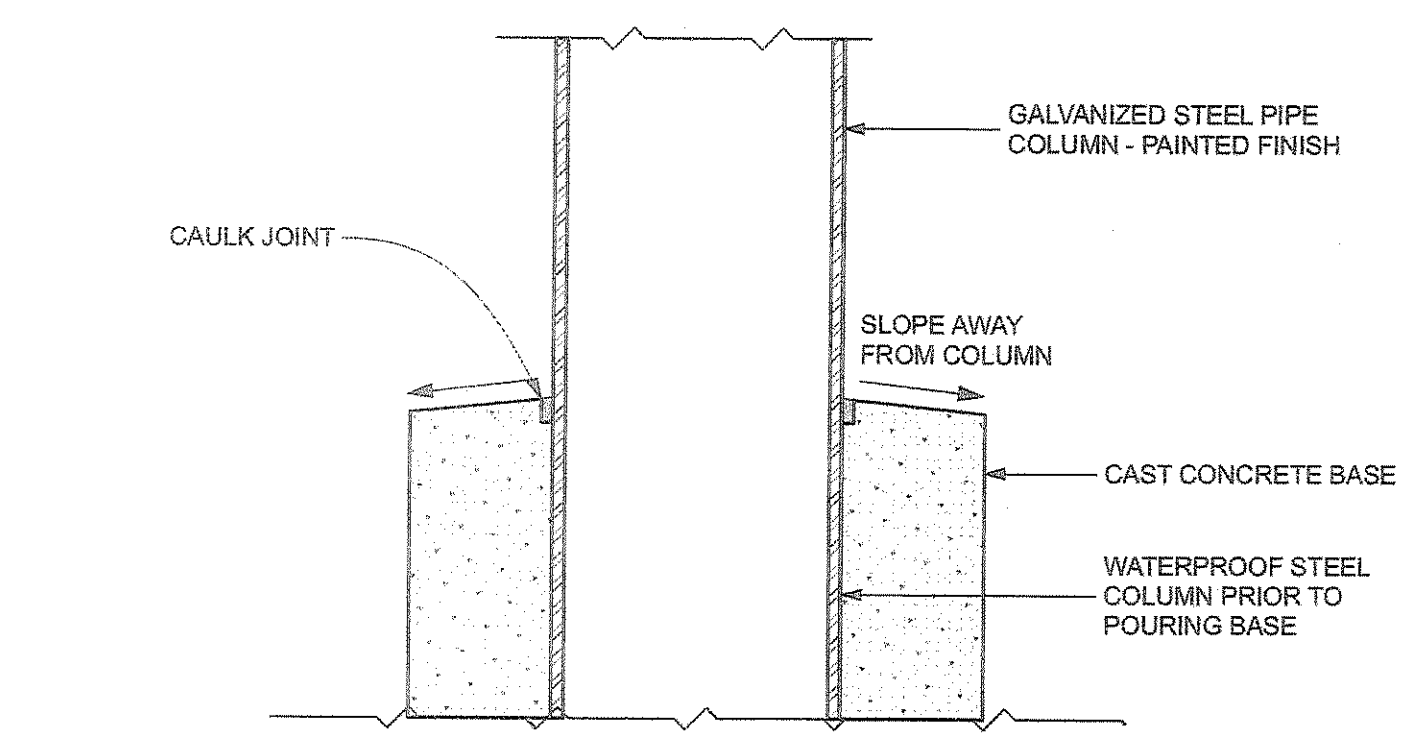
5 COVERED WALKWAY CONNECTIONS
 SCALE: 1 1/2"=1'-0"



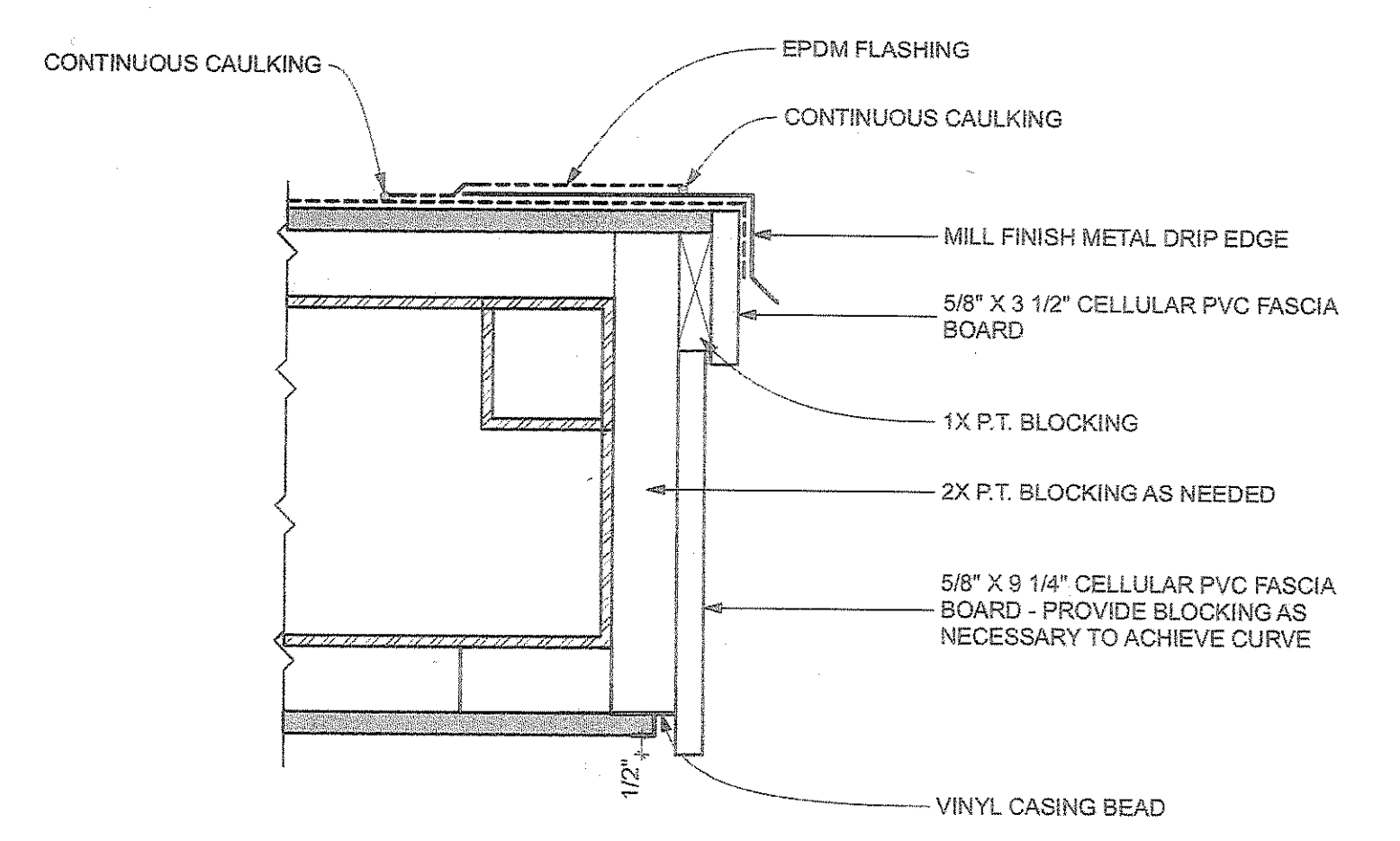
4 TYPICAL BOXED BEAM AT CANOPY
 SCALE: 3"=1'-0"



3 TYPICAL FASCIA DETAIL - WALKWAY
 SCALE: 3"=1'-0"



2 TYPICAL STEEL COLUMN
 SCALE: 3"=1'-0"



1 TYPICAL FASCIA DETAIL - CANOPY
 SCALE: 3"=1'-0"