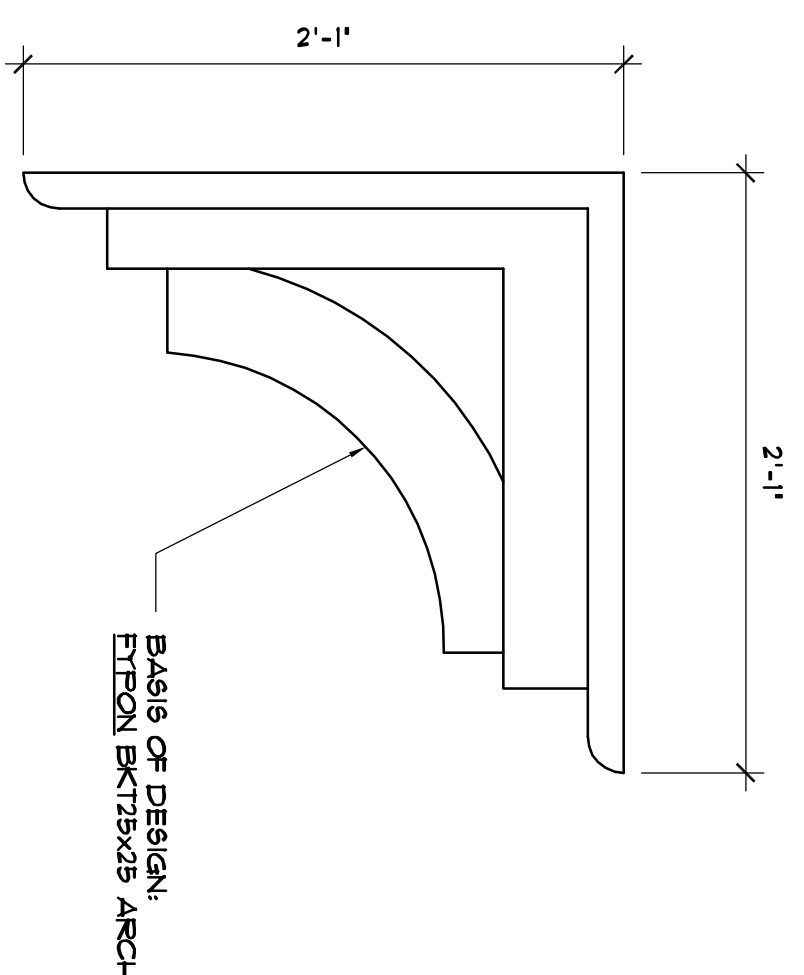


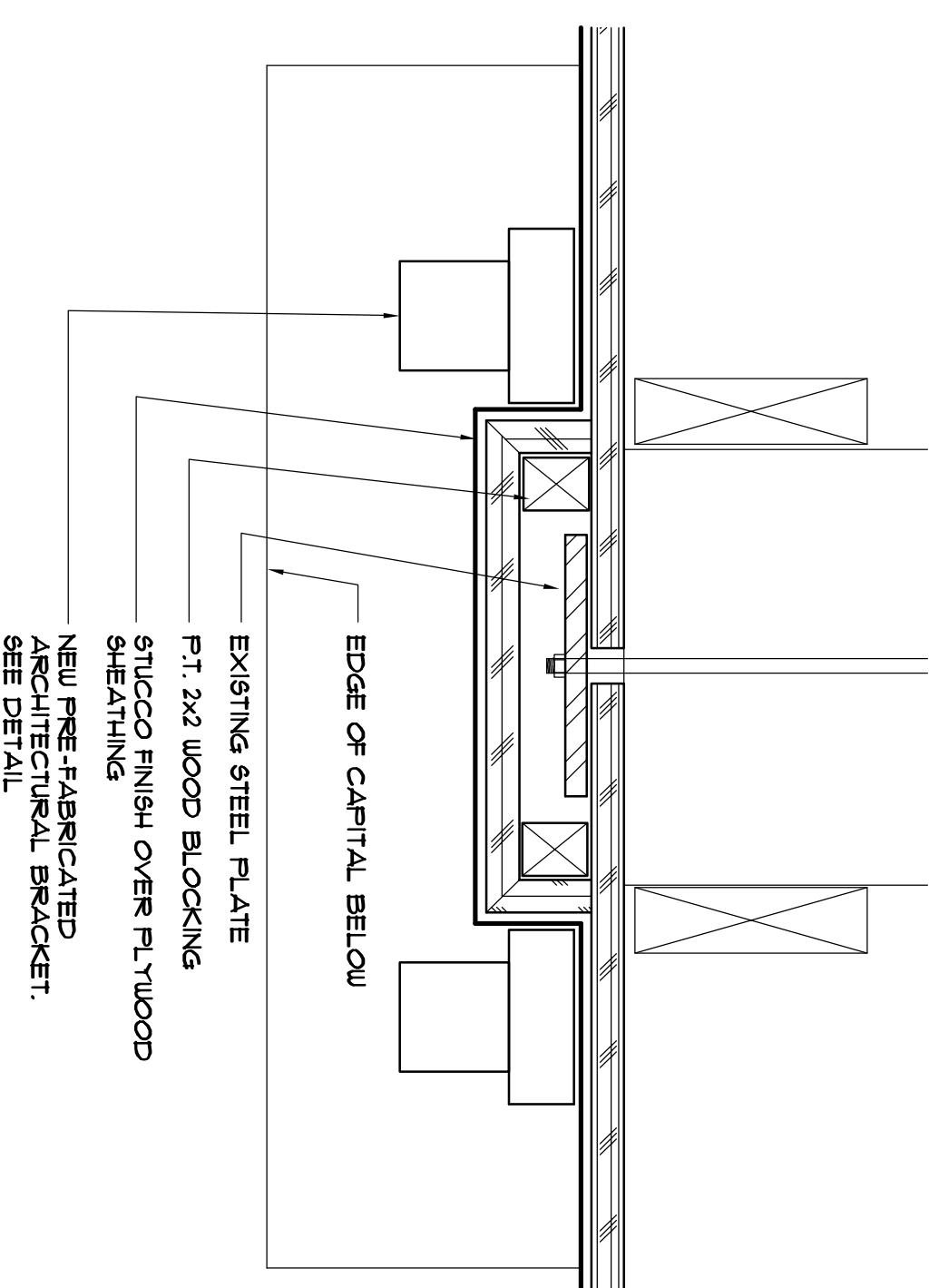
TYP. MULLION DETAIL
SCALE: 3/4"=1'-0"

1
A5.2



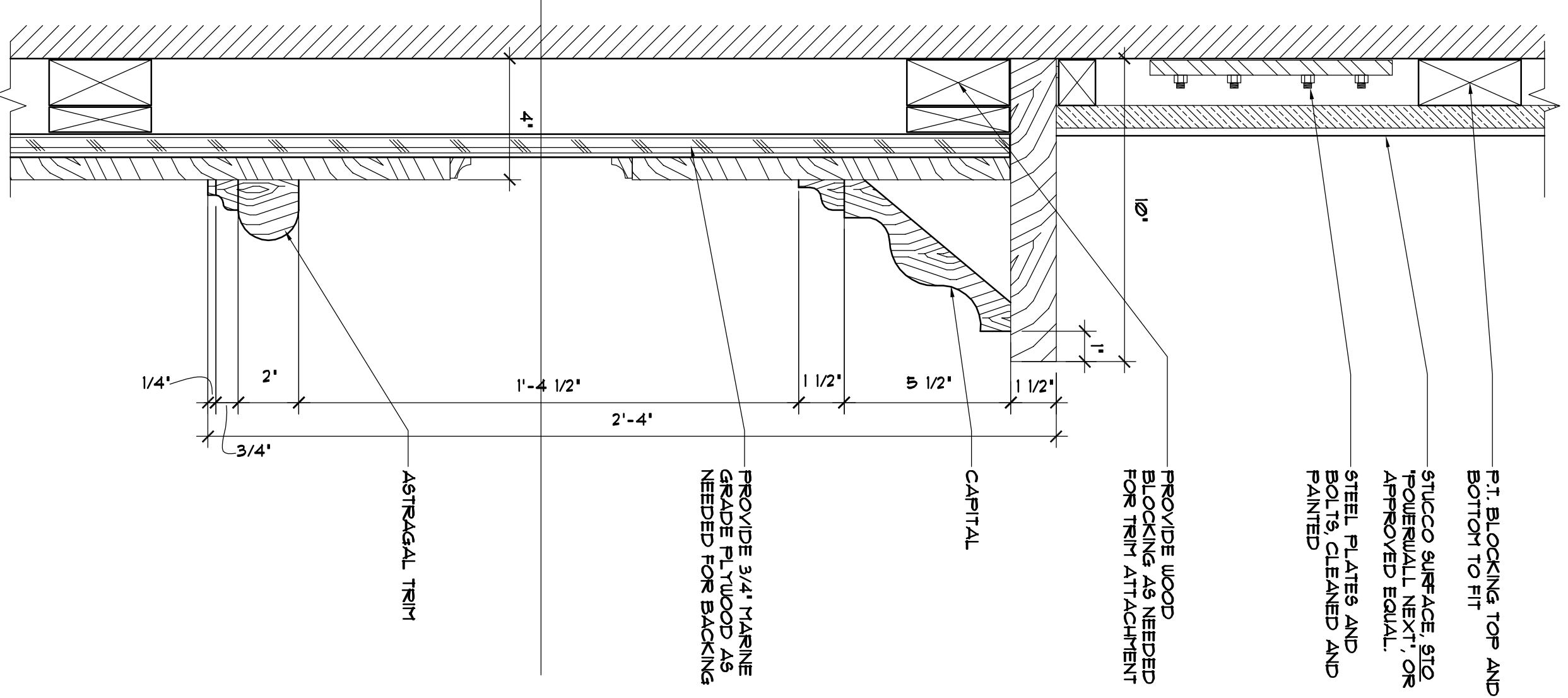
NEW BRACKET DETAIL
SCALE: 1/2"=1'-0"

2
A5.2



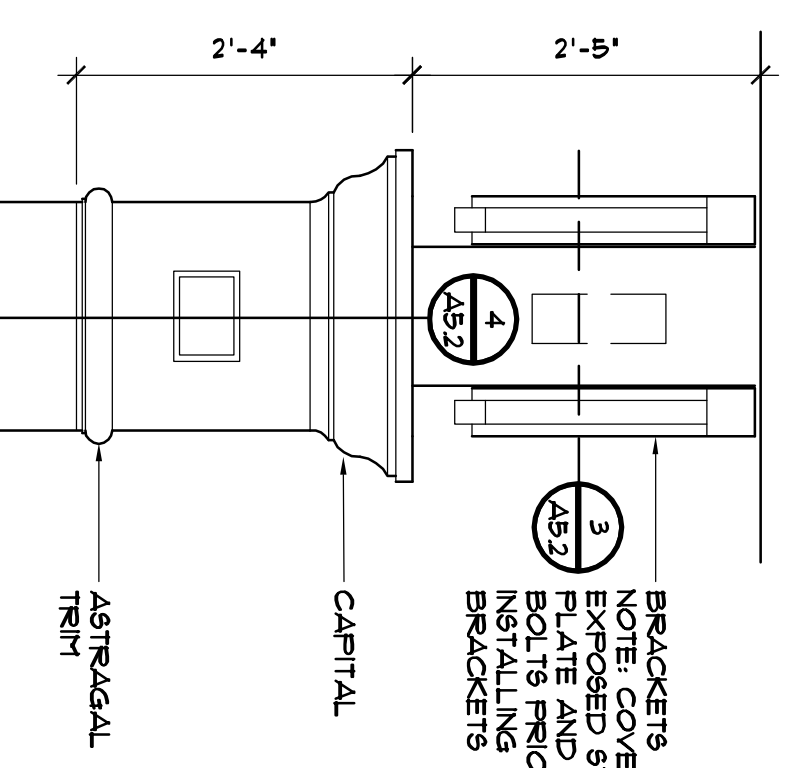
DETAIL AT BRACKETS
SCALE: 3/4"=1'-0"

3
A5.2



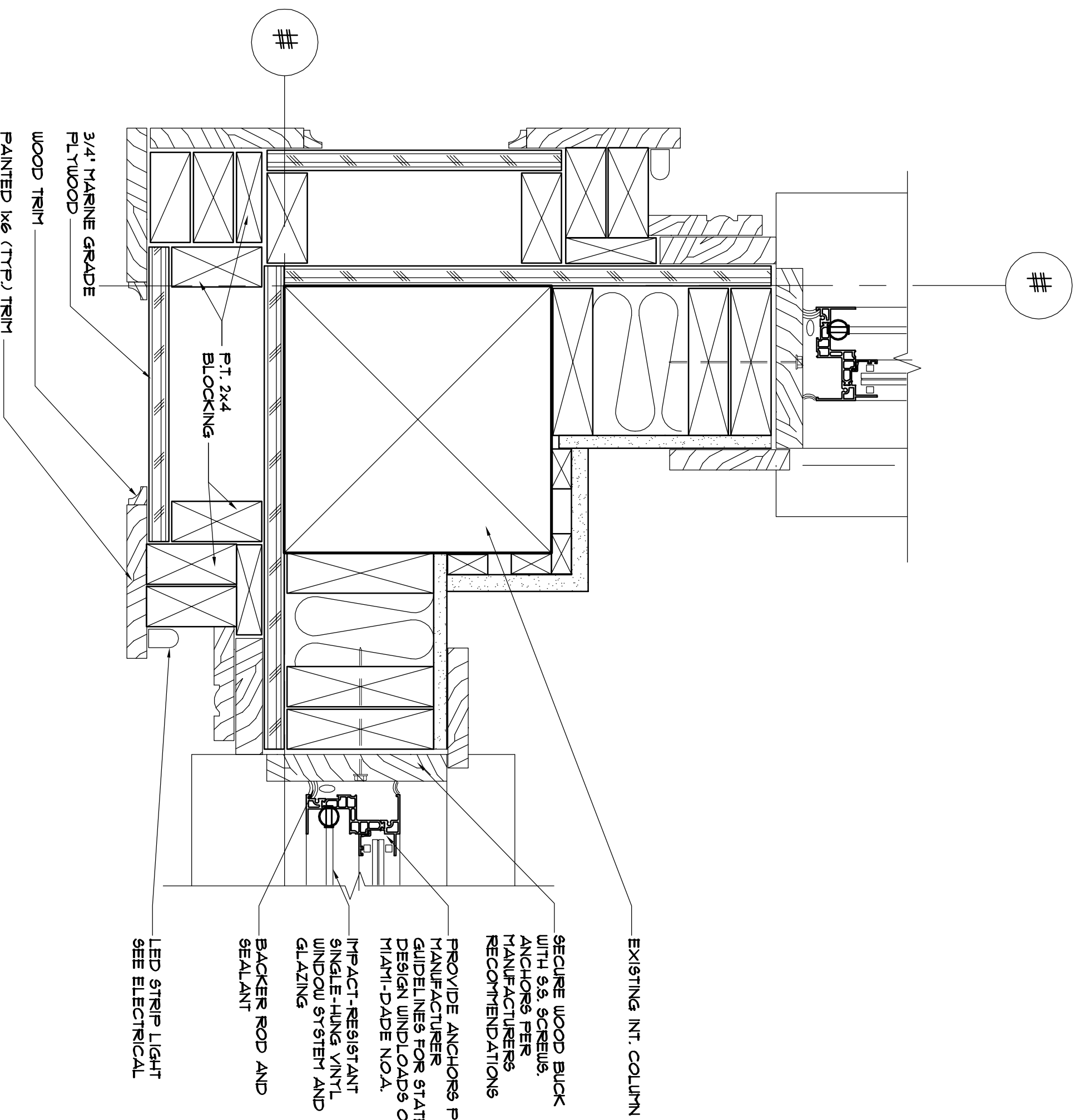
CAPITAL DETAIL
SCALE: 3/4"=1'-0"

4
A5.2



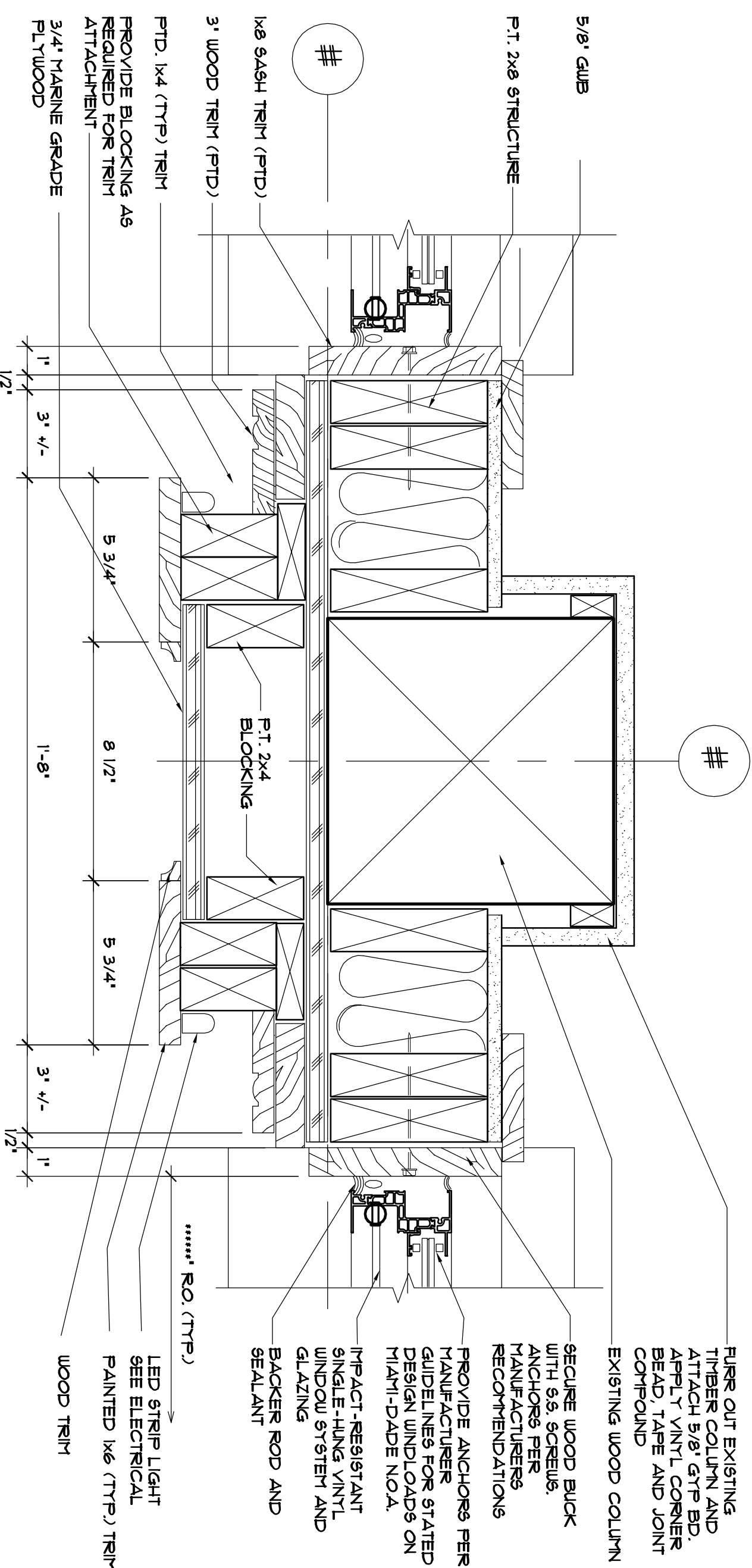
TYPICAL PILASTER
SCALE: 3/4"=1'-0"

5
A5.2



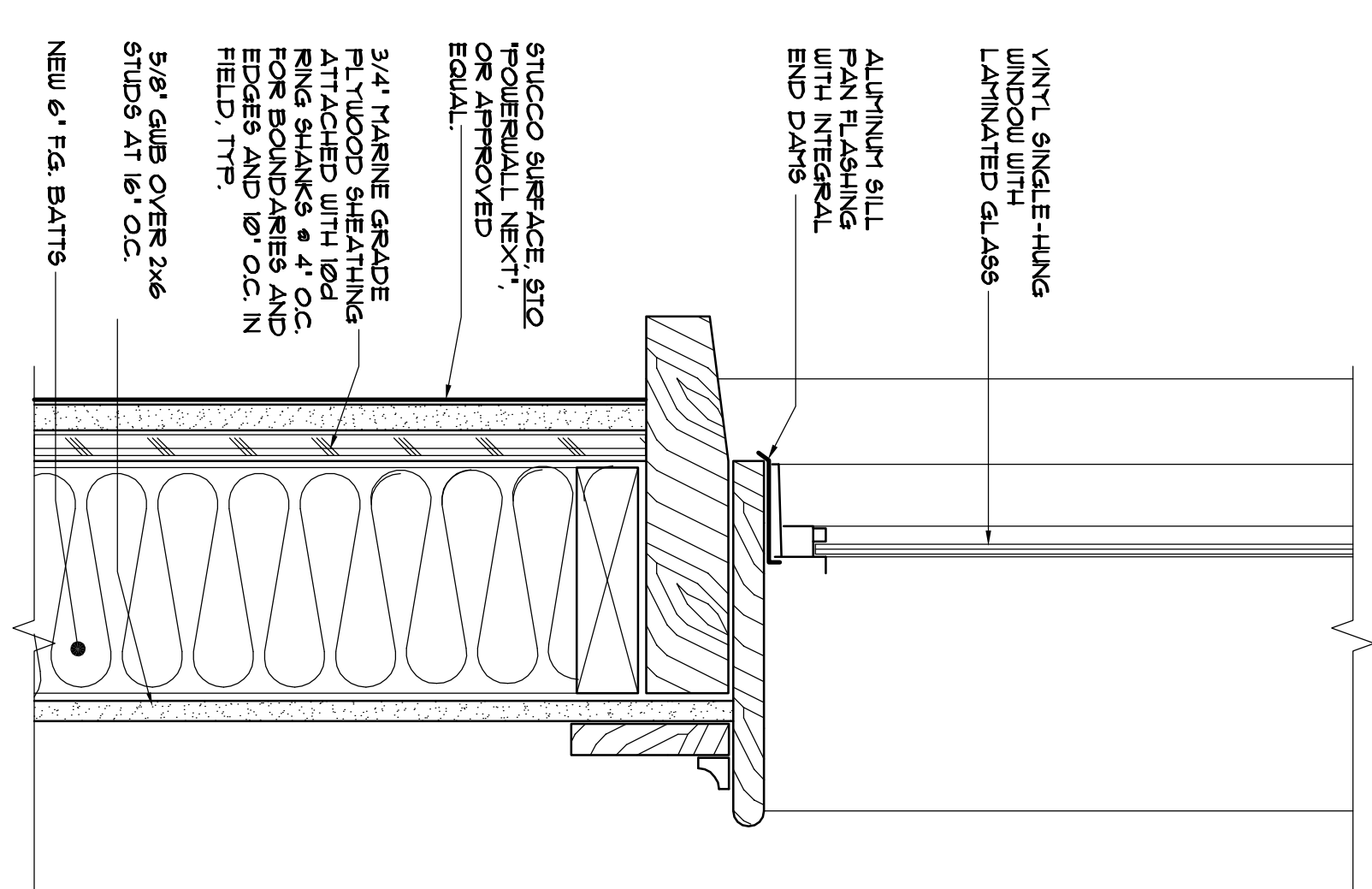
TYP. CORNER PLAN DETAIL
SCALE: 3/4"=1'-0"

6
A5.2



JAMB DETAIL
SCALE: 3/4"=1'-0"

7
A5.2



SILL DETAIL
SCALE: 3/4"=1'-0"

8
A5.2

JD
DESIGN, INC.
913 NORTH NOVA RD.
HOLLY HILL, FL 32117
AA 26000587
PHONE (386) 255-8987
FAX (386) 255-8989

NO.	REVISIONS	DATE

DAYTONA BEACH PIER BUILDING RENOVATION

**MAIN STREET
DAYTONA BEACH, FL**

PJT# 02126-11
DATE: 06/30/10
DRN BY: HKC
DGN BY: DHS
REV BY: DHS
SCALE: AS NOTED

SHEET
A5.2
DETAILS