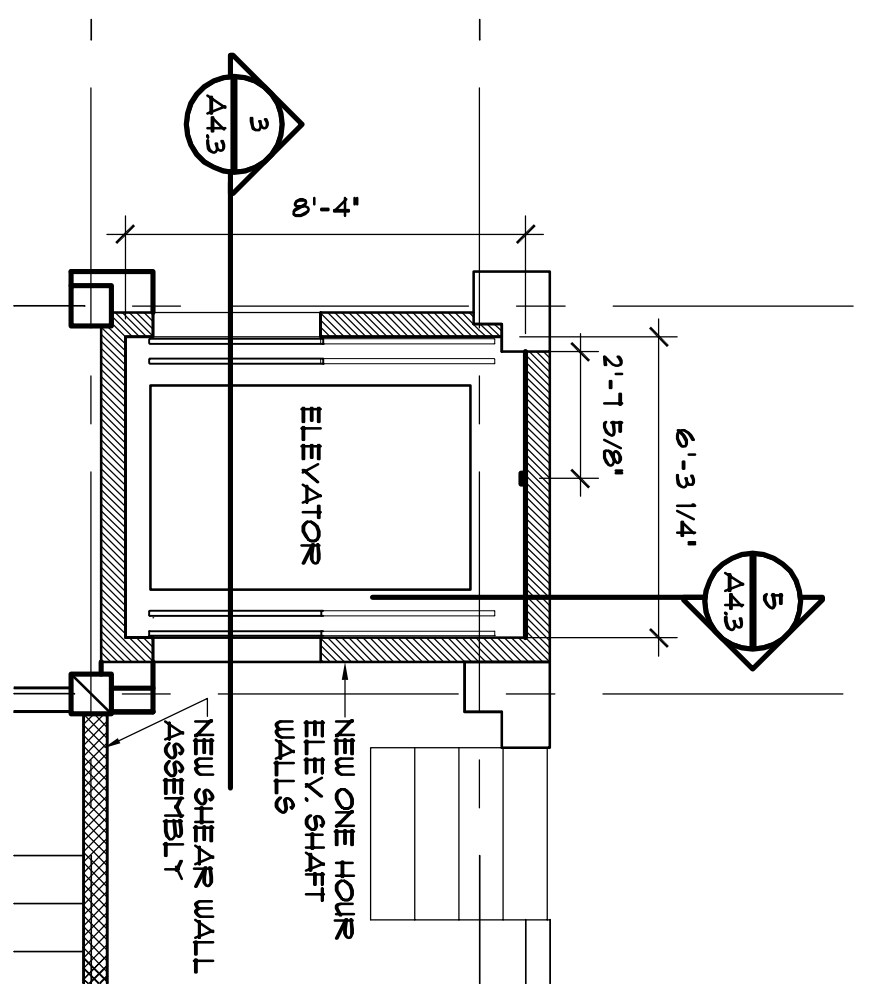


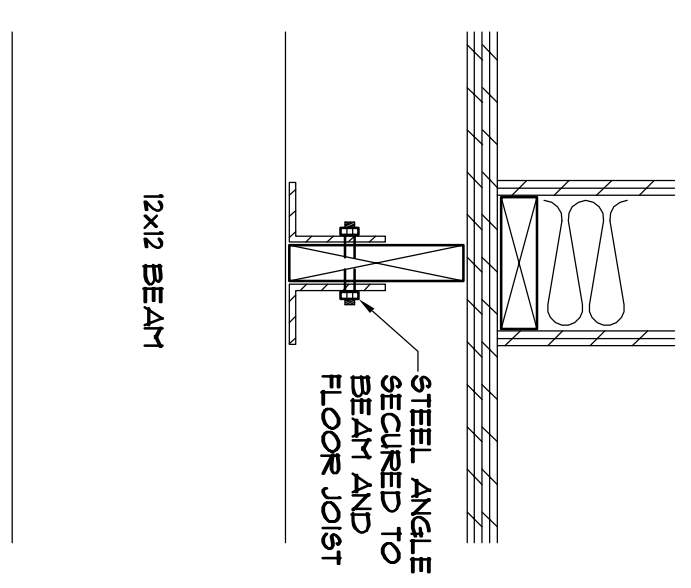
STAIR #1 PLAN
SCALE: 1/4"=1'-0"

1
A4.3



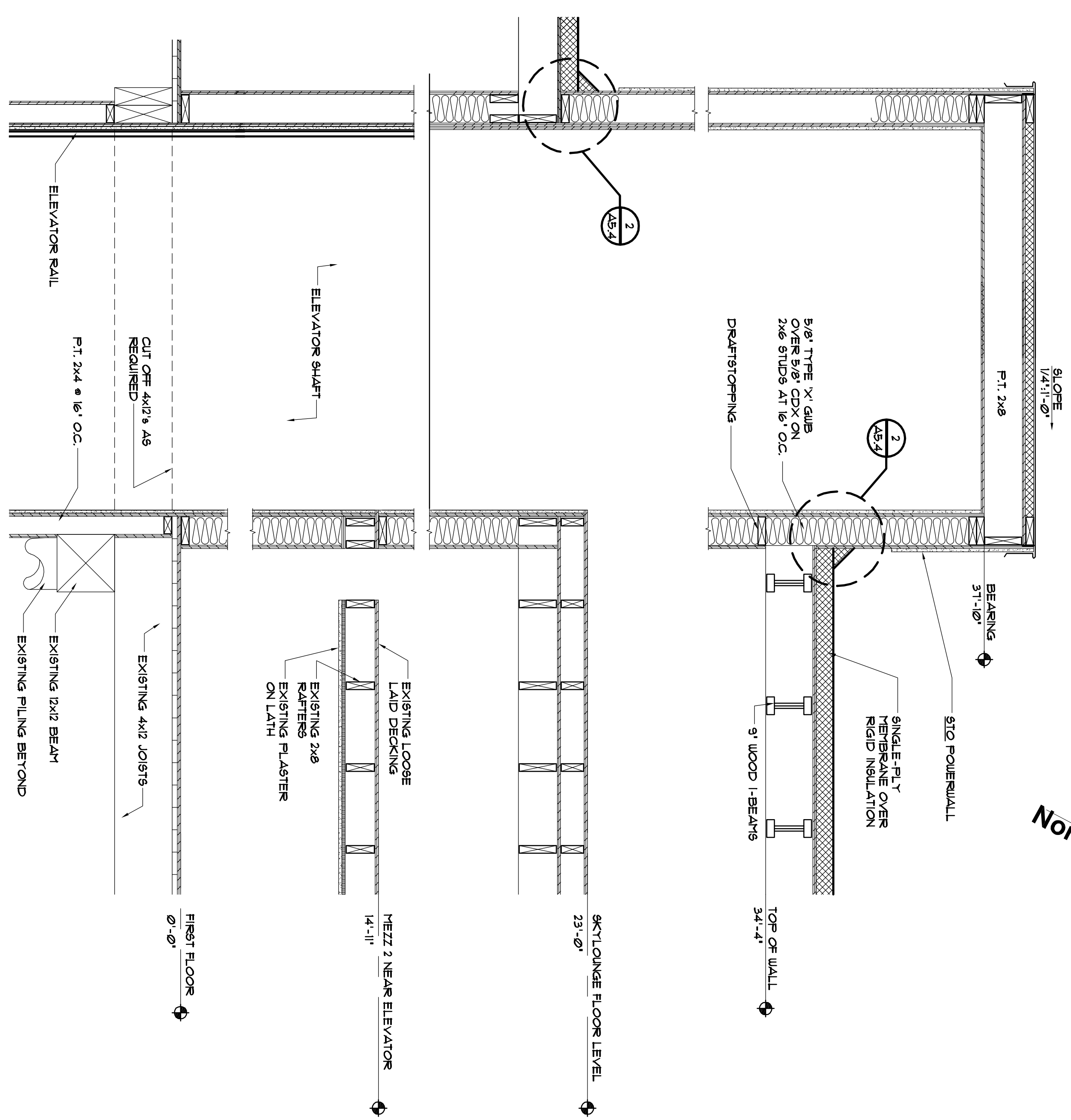
PLAN - ELEVATOR
SCALE: 1/4"=1'-0"

2
A4.3



SECTION
SCALE: 1 1/2"=1'-0"

6
A4.3

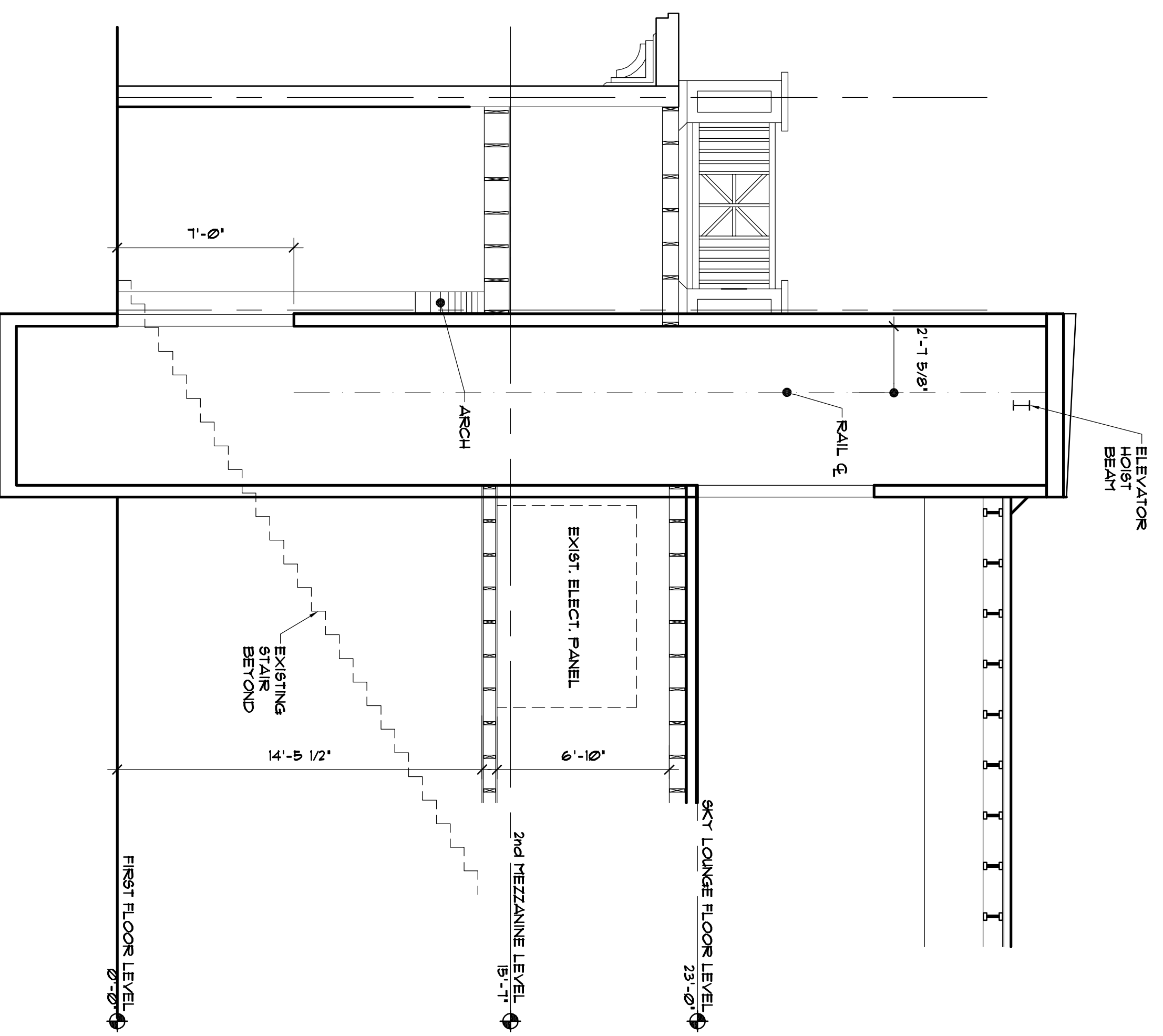


ELEVATOR SHAFT
SCALE: 3/4"=1'-0"

5
A4.3

ELEVATOR SHAFT
SCALE: 3/4"=1'-0"

4
A4.3

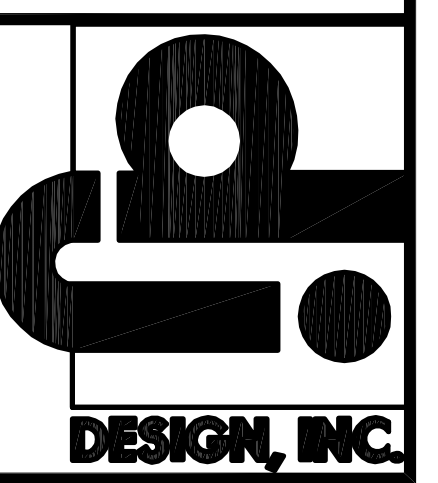


PARTIAL BUILDING SECTION AT ELEVATOR
SCALE: 1/4"=1'-0"

3
A4.3

NO.	REVISIONS	DATE

913 NORTH NOVA RD.
HOLLY HILL, FL 32117
AA 260005687
PHONE (386) 255-6987
FAX (386) 255-6989



DAYTONA BEACH PIER BUILDING RENOVATION
MAIN STREET DAYTONA BEACH, FL

PJT#: 0212611
DATE: 06/30/10
DRN BY: HKC
DGN BY: DMS
REV BY: DMS
SCALE: AS NOTED

SHEET
A4.3
MEZZANINE 2
NEW PLAN