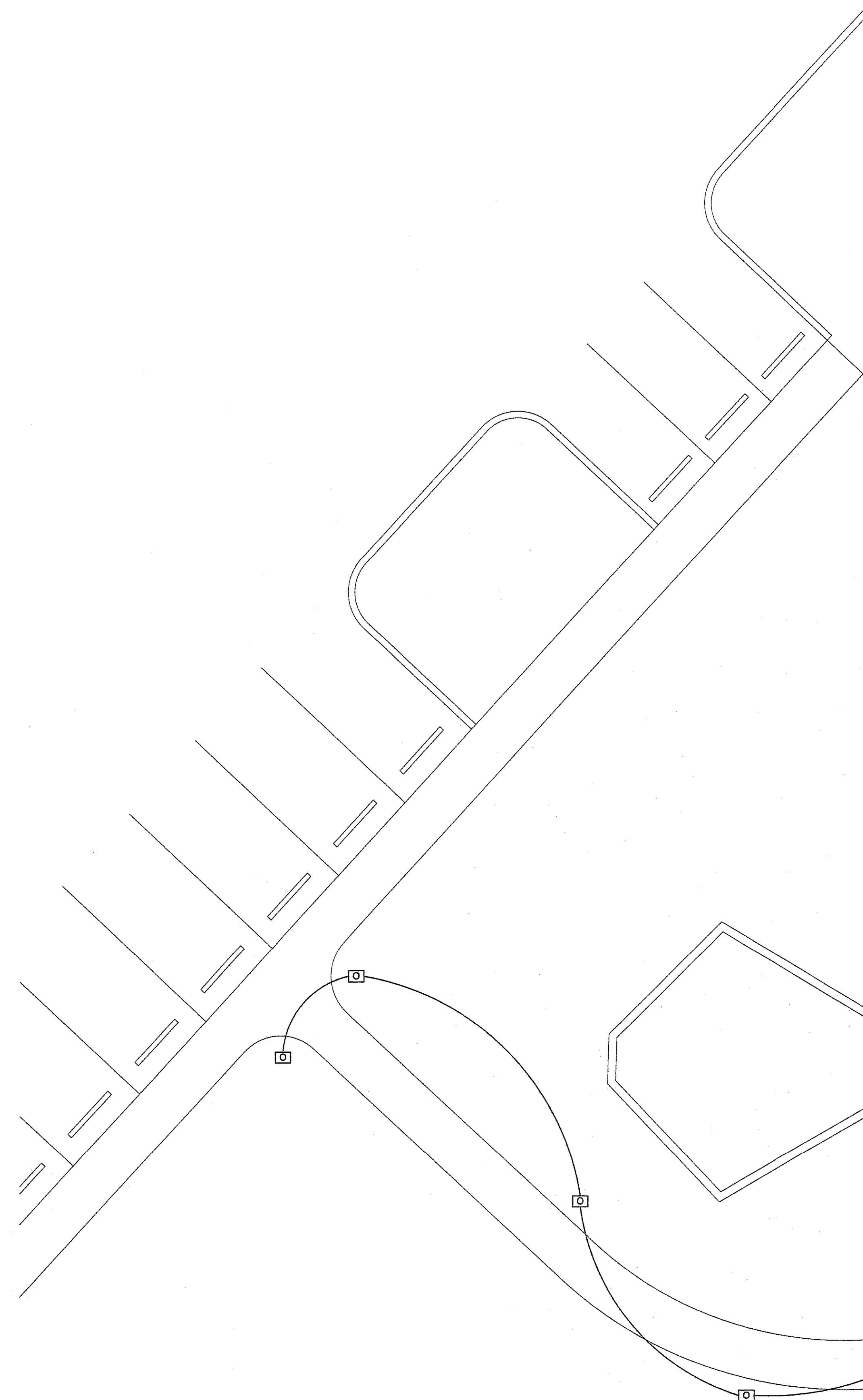
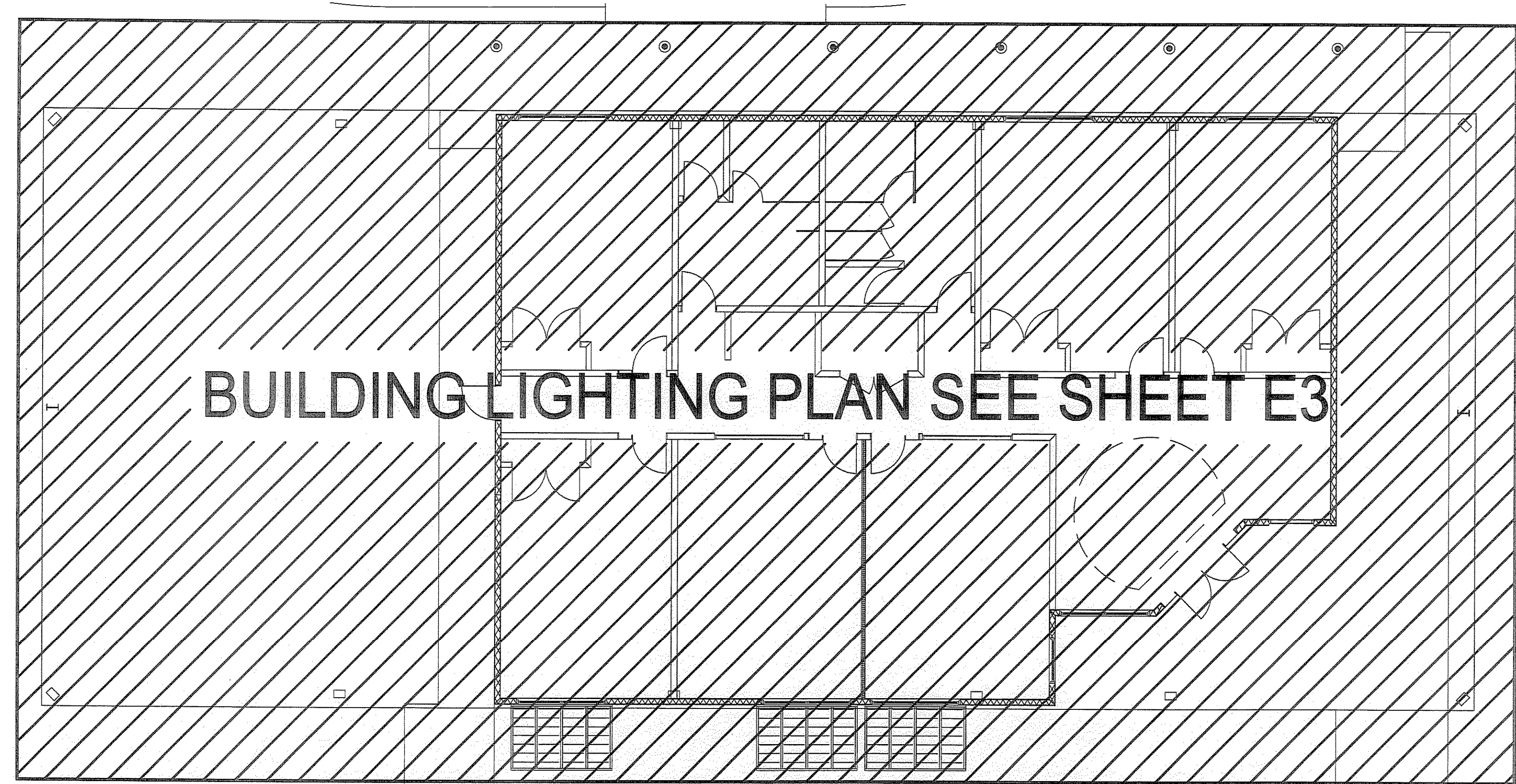


All ideas, designs, arrangements and plans indicated or represented by this drawing are owned by and the property of SCHWEIZER • WALDRUFF ARCHITECTS, incorporated, and were created, evolved and developed for the use on and in connection with this specific project.



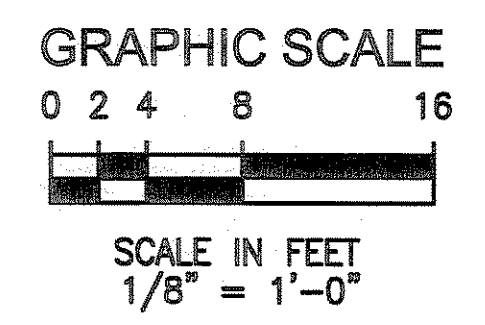
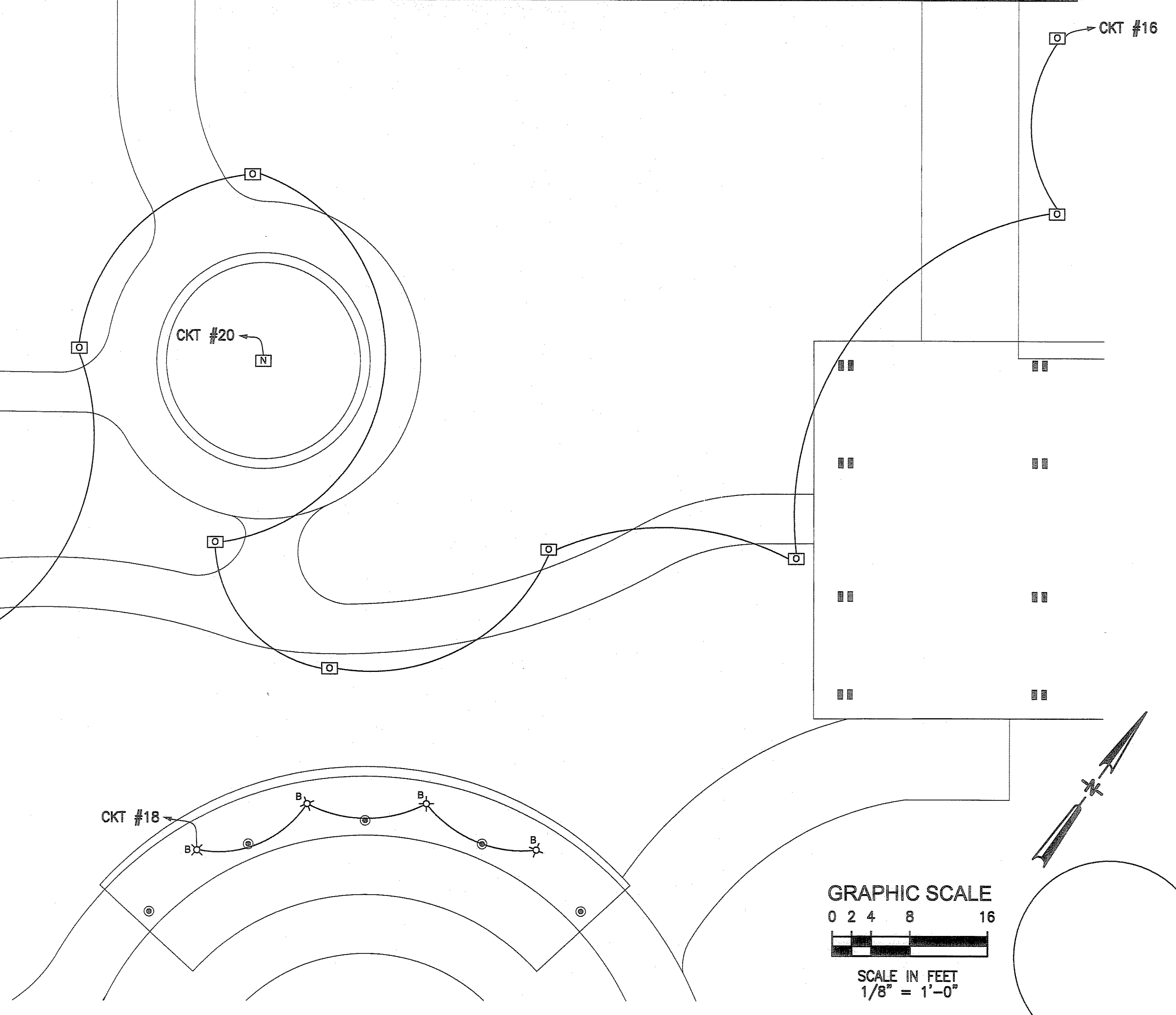
GENERAL NOTES

1. ALL WORK SHALL BE IN ACCORDANCE WITH THE 2008 NATIONAL ELECTRIC CODE (NEC), NFPA 70.
2. WALKWAY BOLLARD LIGHTING SHALL BE CONNECTED USING 10AWG THWN WIRE IN 1/2" SCH 40 PVC CONDUIT BURIED 24" BELOW GRADE.
3. ALL OUTDOOR EQUIPMENT INSTALLED SHALL BE NEMA 3R.
4. WALKWAY BOLLARD AND OVERHANG LIGHTS SHALL BE CONNECTED TO SEPARATE 365 DAY TIMERS WITH PHOTO CELL INPUT FOR CONTROL. TIMERS TO BE LOCATED IN MECHANICAL ROOM.

LEGEND

- ⊗ LIGHTOLIER LYTECASTER 6 3/4" RECESSED 1100 SERIES 32W TRIPLE LAMP 1101HCD WITH 1101F2642U
- Ⓝ NIGHTSCAPING DIRECT BURIAL MASTERLITER MR-0508 MR-16 LAMP LOW VOLTAGE
- Ⓞ NIGHTSCAPING WM-3535 POSTLITER LOW VOLTAGE PATHLIGHT

ADDITIONAL LIGHTING PLAN
SCALE: 1/8" = 1'-0"



Nelson Engineering Co.
5335 North Courtney Pkwy
Merritt Island, FL 32953
(321) 448-1128 Fax (321) 448-1195
www.NelsonEngrCo.com