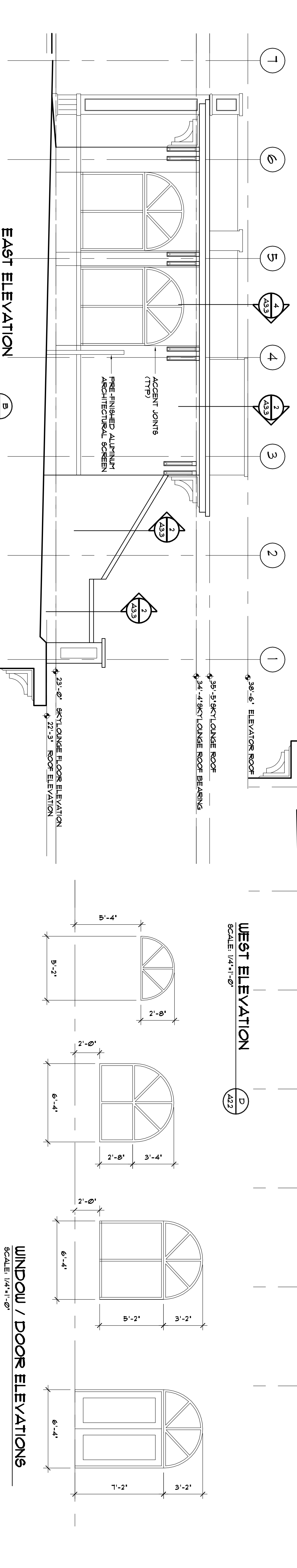
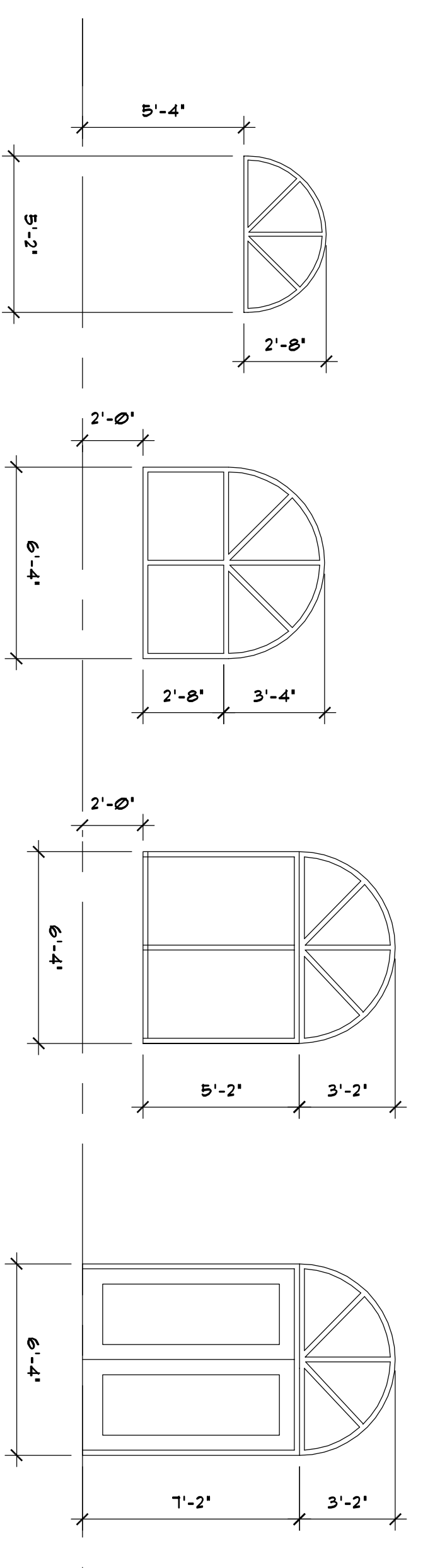


SOUTH ELEVATION
SCALE: 1/4"=1'-0"

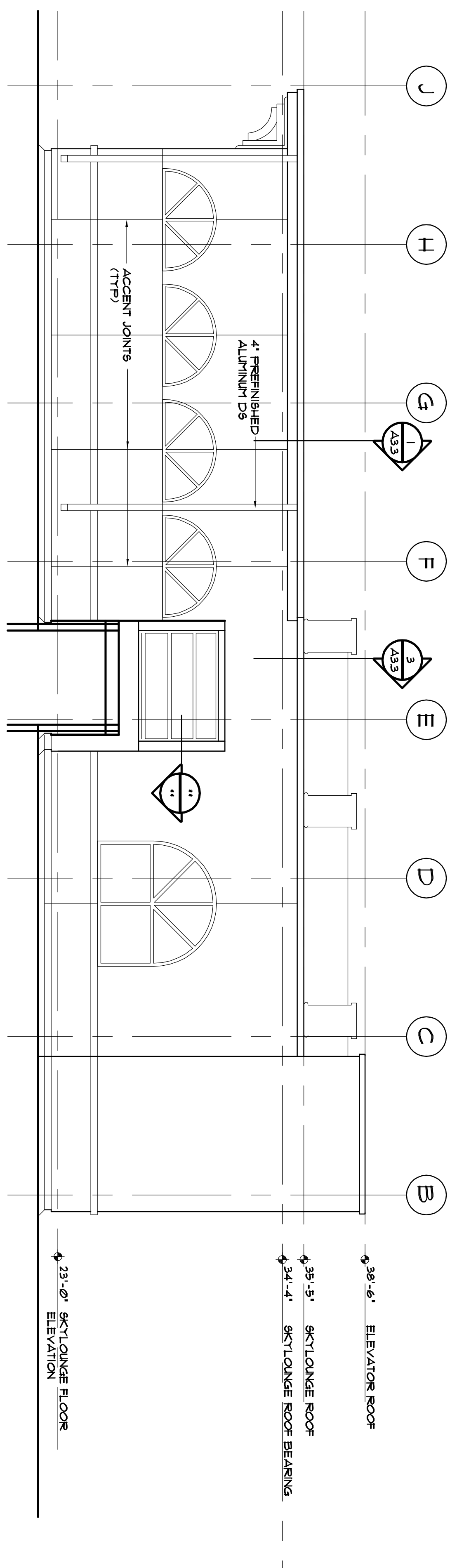


EAST ELEVATION
SCALE: 1/4"=1'-0"

WEST ELEVATION
SCALE: 1/4"=1'-0"



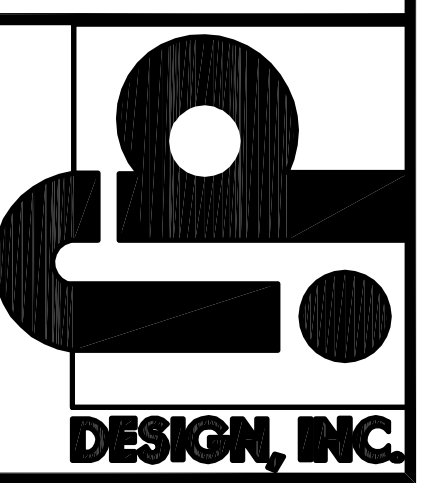
WINDOW / DOOR ELEVATIONS
SCALE: 1/4"=1'-0"



NORTH ELEVATION
SCALE: 1/4"=1'-0"

NO.	REVISIONS	DATE

913 NORTH NOVA RD.
HOLLY HILL, FL 32117
AA 2680005687
PHONE (386) 255-6987
FAX (386) 255-6989



DAYTONA BEACH PIER BUILDING RENOVATION
MAIN STREET DAYTONA BEACH, FL

PJT: 02126.11
DATE: 06/30/10
DRN BY: HKC
DGN BY: DHS
REV BY: DHS
SCALE: AS NOTED

SHEET
A2.2
SKY LOUNGE ELEVATIONS