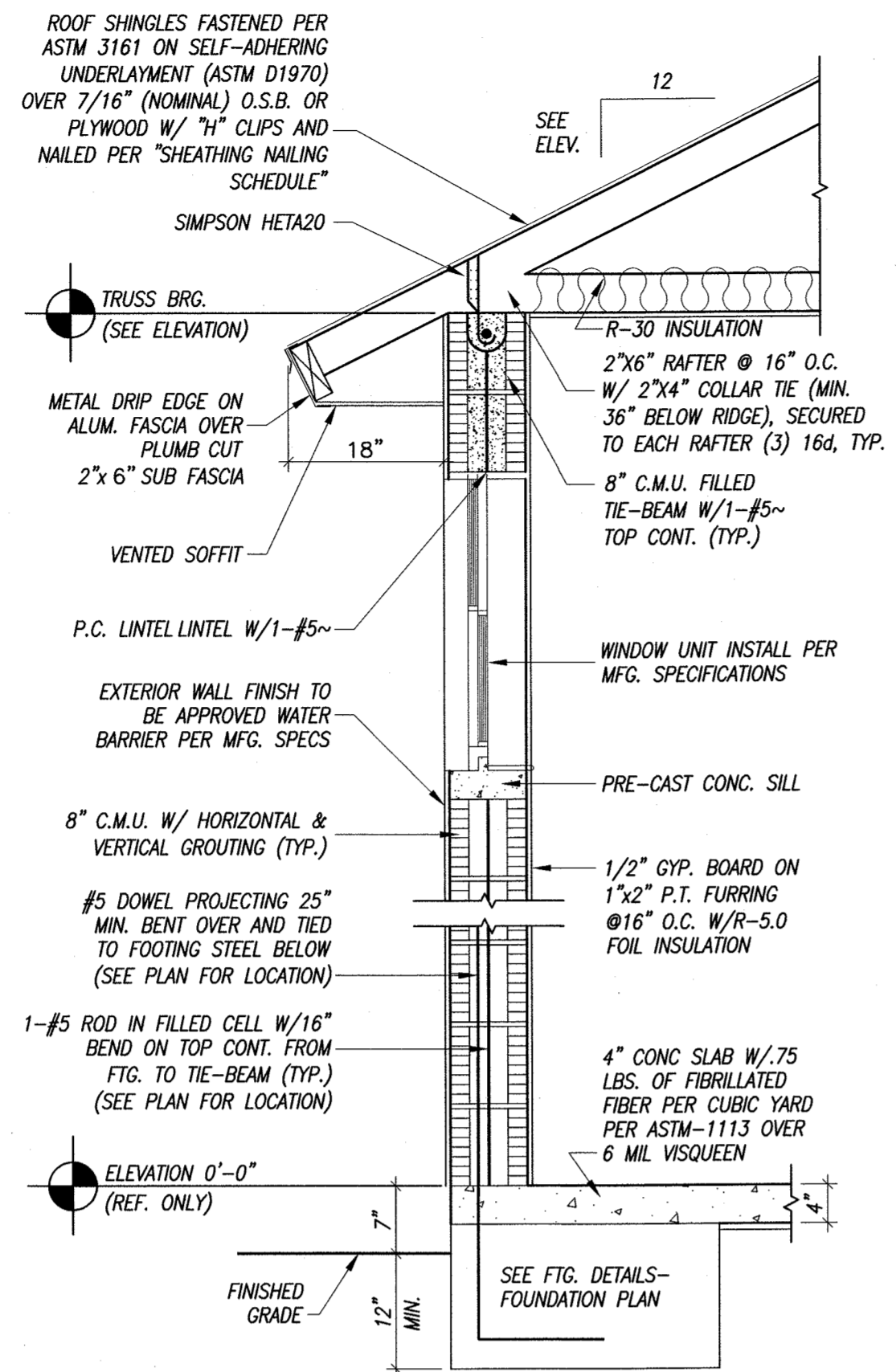
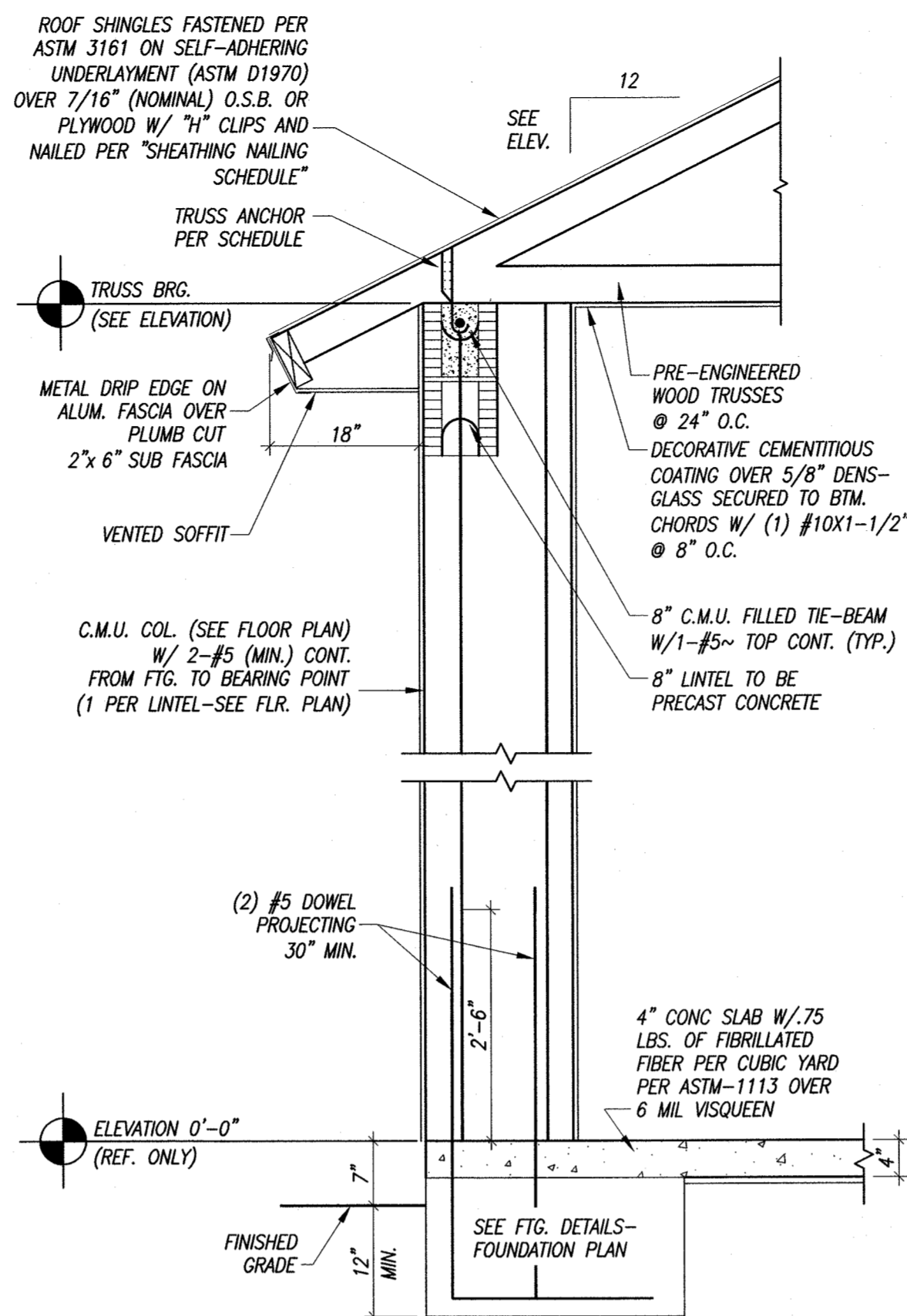


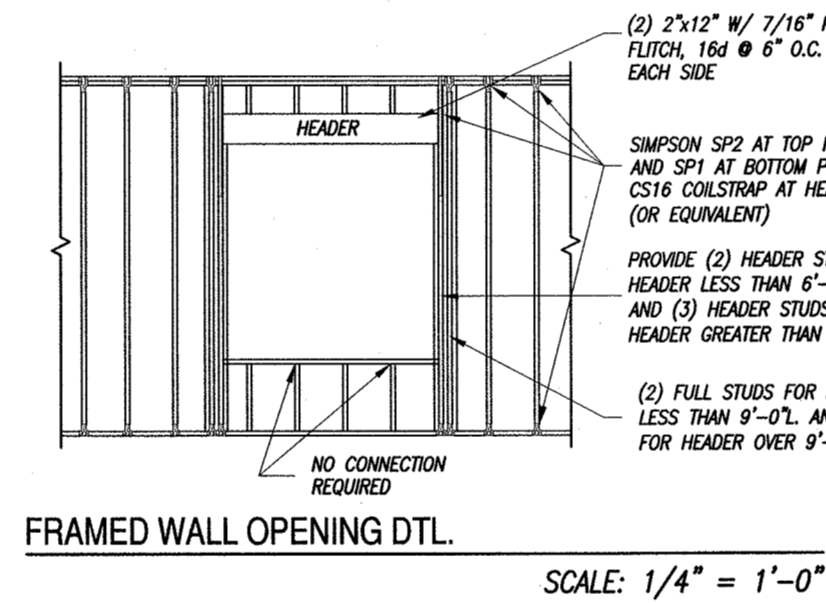
1
D2
TYPICAL WALL SECTION
SCALE: 3/4"=1'-0"
NOTE: TYP. BRNG. @ 11'-4" A.F.F. (U.N.O.) WITH DROP CEILING @ 10'-0" A.F.F.



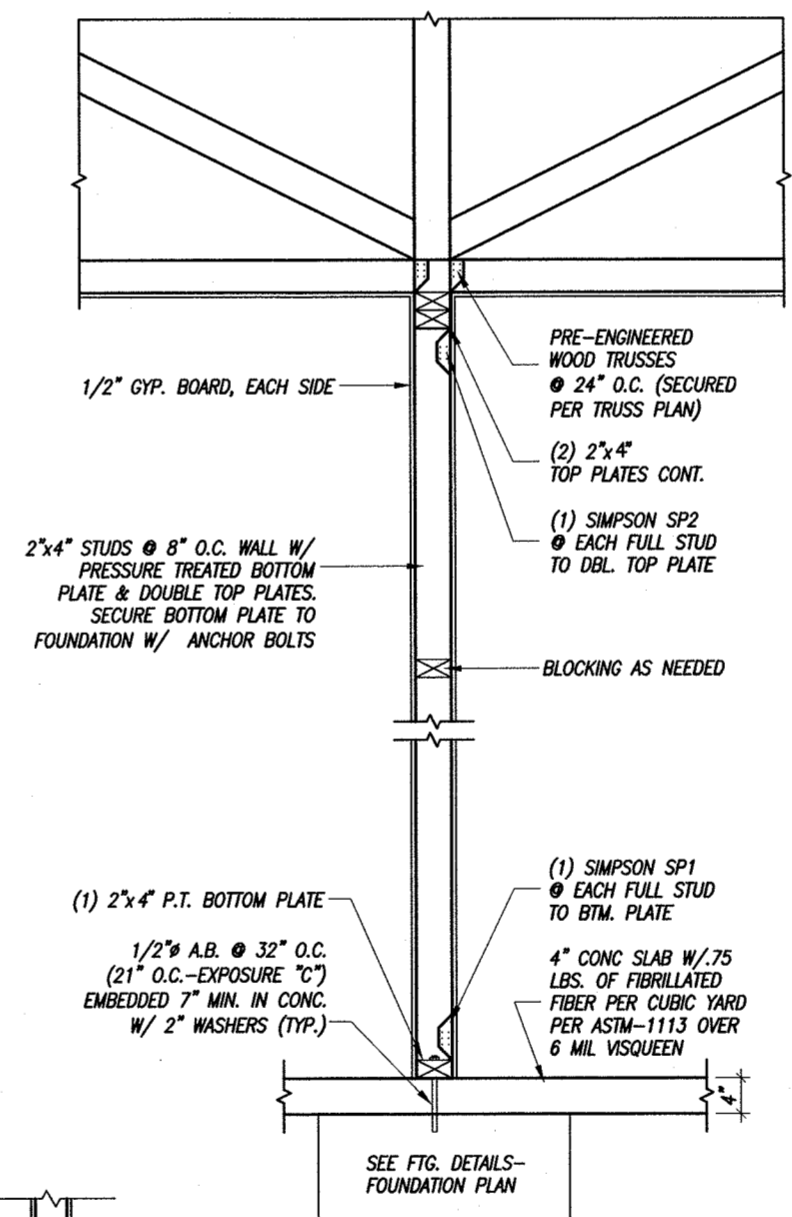
2
D2
TYPICAL WALL SECTION @ OPENING
SCALE: 3/4"=1'-0"
NOTE: TYP. BRNG. @ 11'-4" A.F.F. (U.N.O.) WITH DROP CEILING @ 10'-0" A.F.F.



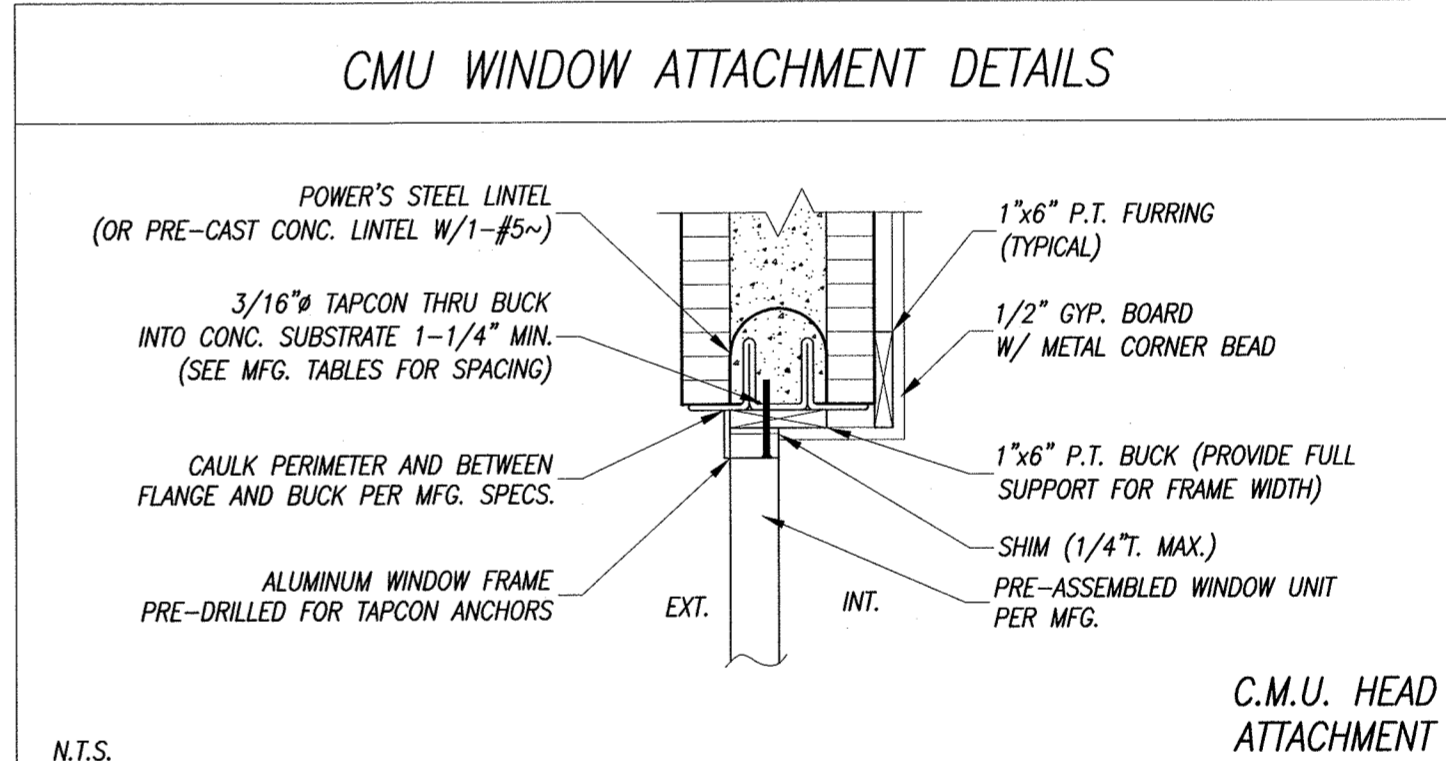
3
D2
TYPICAL WALL SECTION @ COLUMN
SCALE: 3/4"=1'-0"



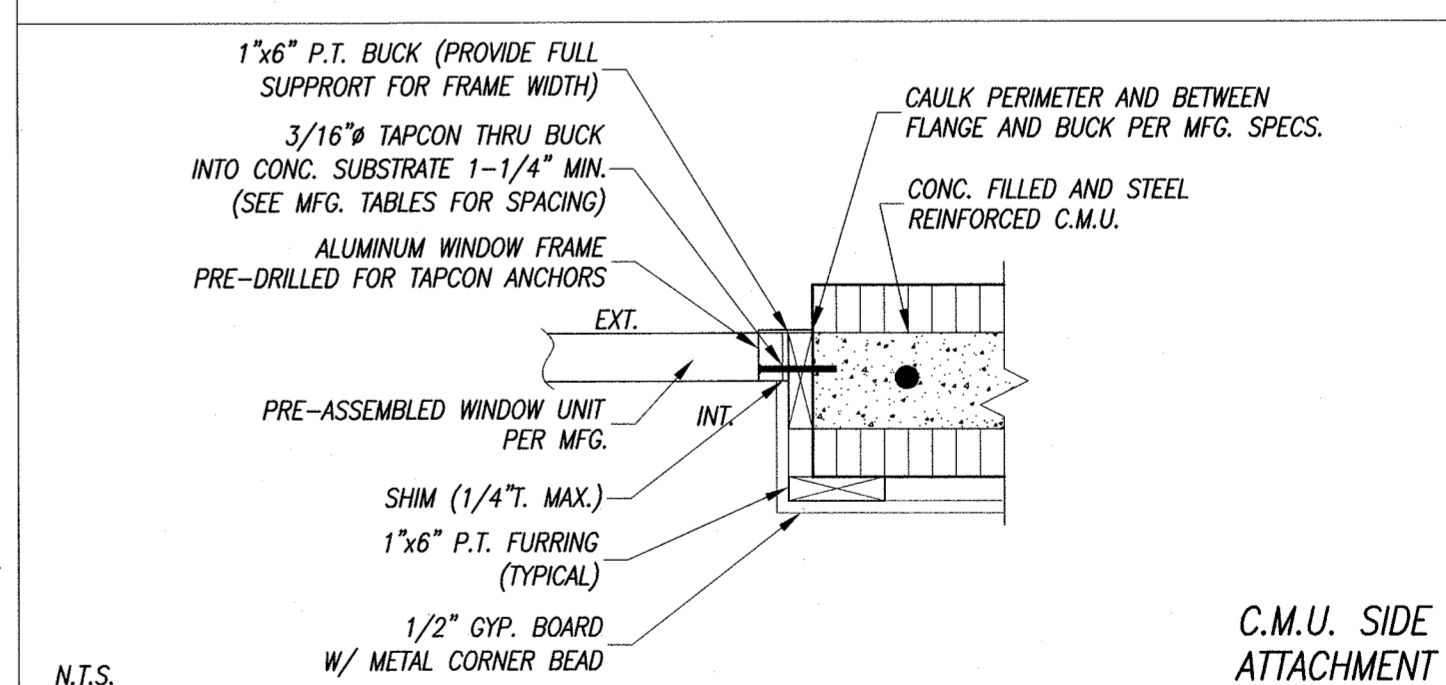
Framed Wall Opening DTL
SCALE: 1/4" = 1'-0"



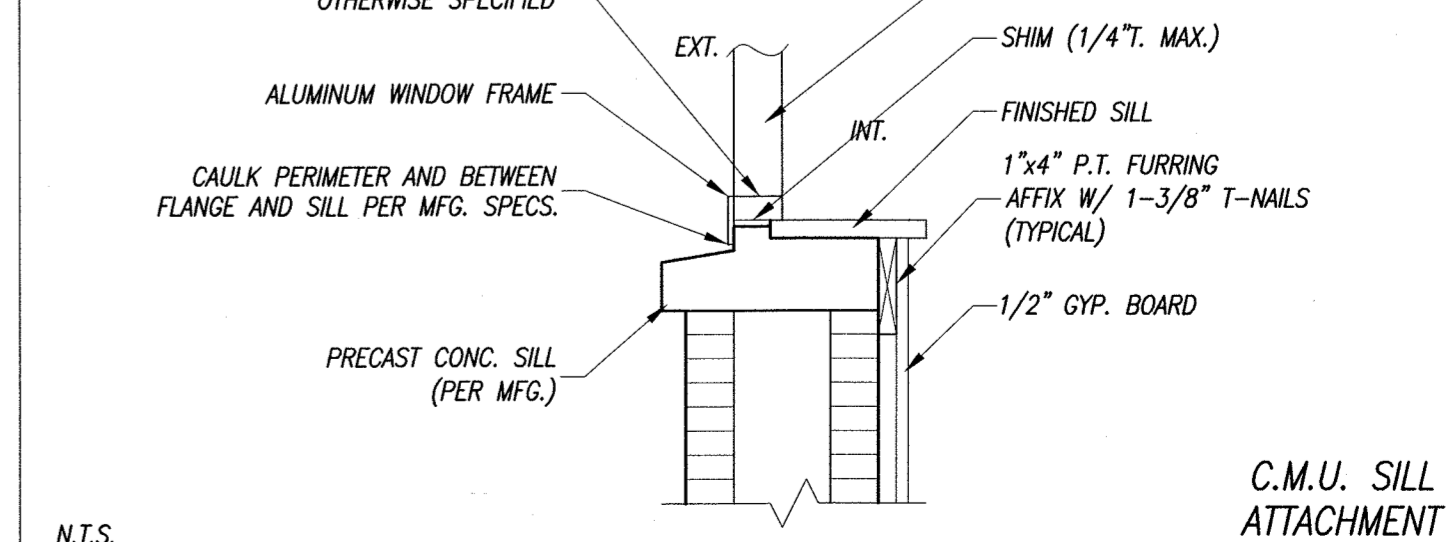
8
D2
TYPICAL WALL SECTION
SCALE: 3/4"=1'-0"



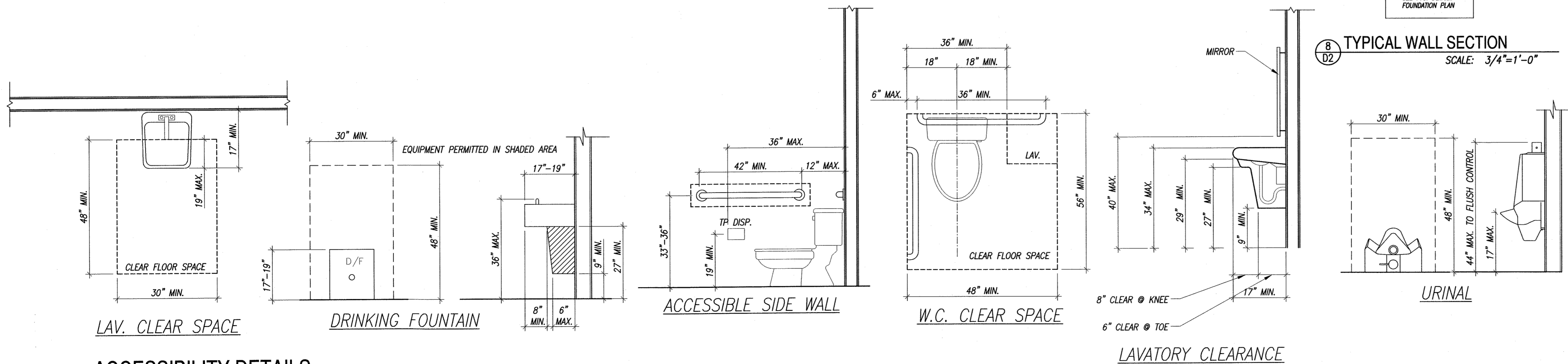
C.M.U. HEAD ATTACHMENT
N.T.S.



C.M.U. SIDE ATTACHMENT
N.T.S.



C.M.U. SILL ATTACHMENT
N.T.S.



ACCESSIBILITY DETAILS

SCALE: NTS

NO.	DATE	REVISION
1)	08/03/11	NEW
2)	09/27/11	CITY STAFF
3)	10/03/11	CITY STAFF
4)	12/27/11	CITY STAFF

DRAWN BY: N.M.
DESIGN BY: N.M.
DATE: 08/03/11

ISSUED FOR :
PRICING ONLY
REVIEW ONLY
CONSTRUCTION

PLAN NO.: N/A
TYPE: CMU
GARAGE: N/A

SHEET NUMBER: 15D OF 19