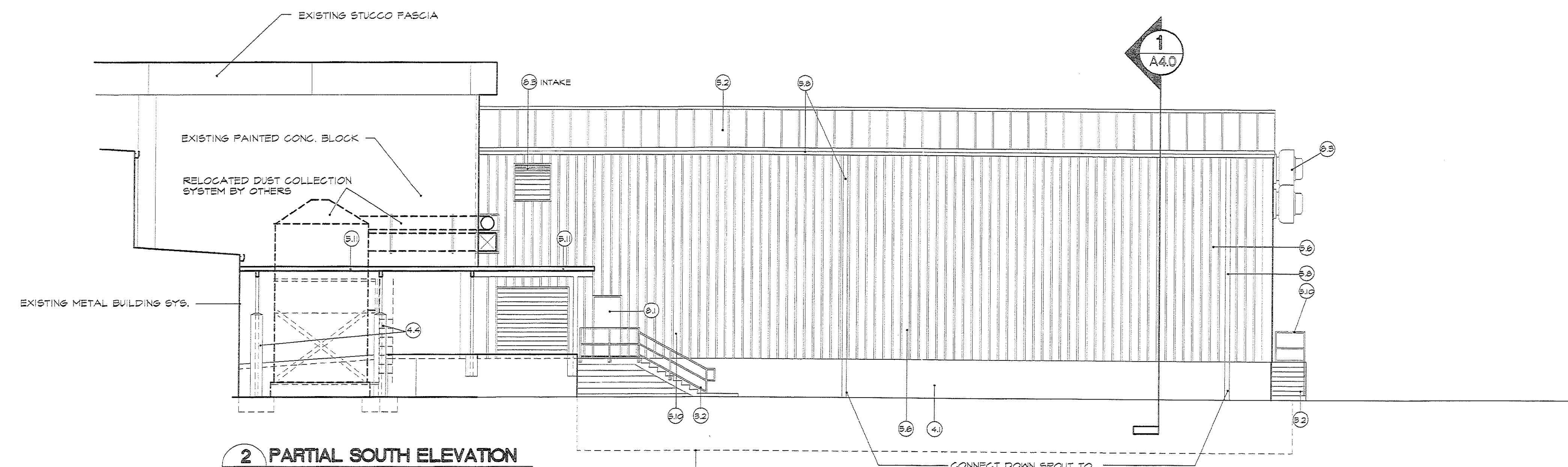


**1 PARTIAL EAST ELEVATION**  
A3.1 NEW/ EXISTING SCALE: 1/8" = 1'-0"

PROVIDE HOLE AND TRIM FOR DUCT OPENING TYP.

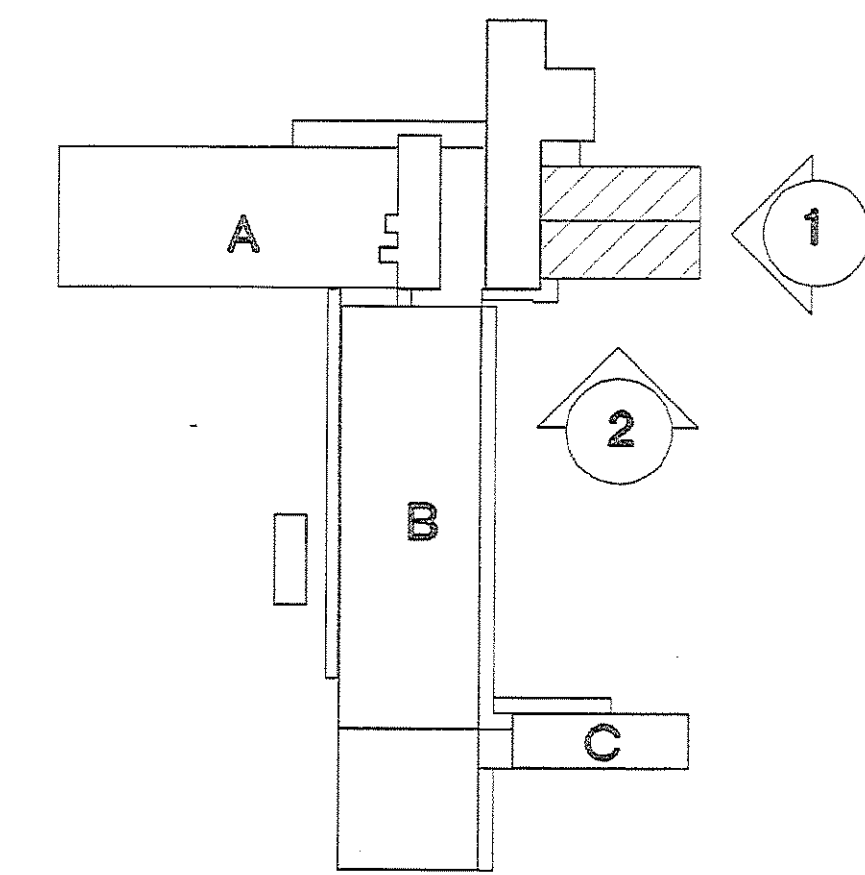
(6) FOOT DEEP EXCAVATION AT BUILDING PERIMETER W/ (2) FEET OF CLEAN COMPACTED FILL BELOW NEW BUILDING FOUNDATIONS TYP.



**2 PARTIAL SOUTH ELEVATION**  
A3.1 NEW/ EXISTING SCALE: 1/8" = 1'-0"

(6) FOOT DEEP EXCAVATION AT BUILDING PERIMETER W/ (2) FEET OF CLEAN COMPACTED FILL BELOW NEW BUILDING FOUNDATIONS TYP.

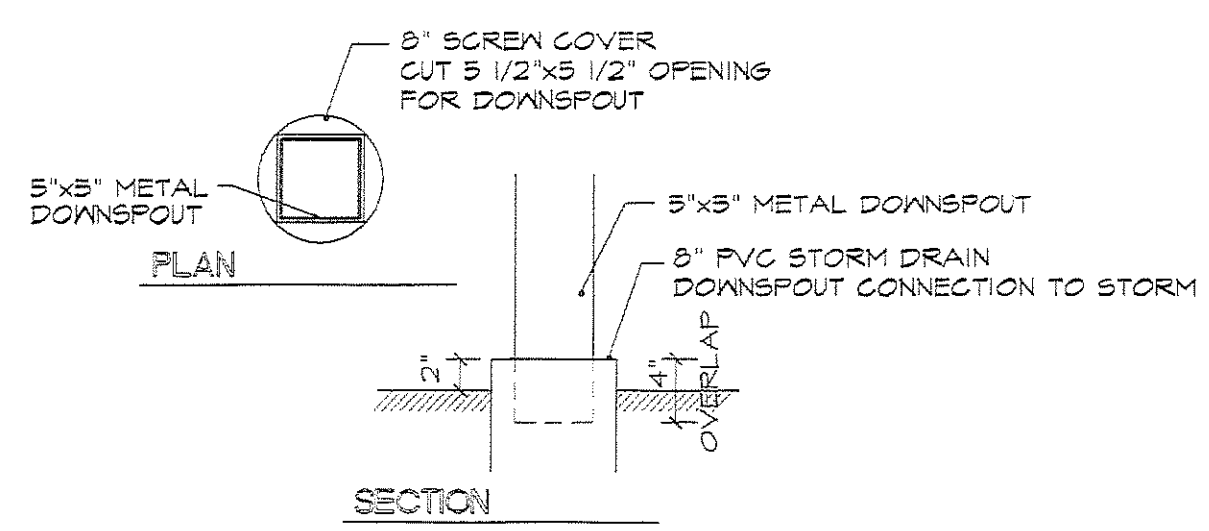
CONNECT DOWN SPOUT TO STORM SYSTEM - SEE DETAIL A/A3.1



**KEY PLAN**

**MATERIAL KEY**

- 1 REIN. CONG. SLAB
- 2 8" THK. CMU (PAINTED @ EXPOSED LOCATIONS) W/ HORIZ. JT. REINFG. @ 16" O.C. (SEE STRUCTURAL DRAWINGS)
- 3 REINP/ CONG. FILLED PRECAST CONG. LINTEL
- 4 CONG. CORE FILL / BEAM FILL
- 5 CAST CONG. COLUMN BASE
- 6 PRE-ENGINEERED STRUCTURAL FRAME
- 7 STANDING BEAM MTL. ROOFING
- 8 CONT. BENT PLATE CLOSURE
- 9 STEEL ROD CROSSBRACING
- 10 STL. ROOF/ WALL PURLINS
- 11 MTL. WALL PANELS
- 12 STEEL STUDS 24" O.C.
- 13 METAL GUTTER/ DOWNSPOUTS
- 14 METAL FLASHING/TRIM
- 15 GALV. MTL. HAND/ GUARDRAIL SYS.
- 16 PRE-ENG. ALUM. CANOPY SYS.
- 17 HOLLOW MTL. DOOR/ FRAME (PAINTED)
- 18 PAINTED COLING OVERHEAD DOOR
- 19 PREFINISHED ALUM. WALL CAP/ EXHAUST FAN (SEE MECH. DSS.)



**A DETAIL**  
A3.1 DOWNSPOUT CONNECTION TO STORM SCALE: 1" = 1'-0"

**HAWKINS, HALL & OGLE ARCHITECTS, INC.**  
208 MAGNOLIA AVENUE  
DAYTONA BEACH, FLORIDA 32114  
PH (386) 255-6163 FAX (386) 257-5630

**NEW WAREHOUSE ADDITION  
DAYTONA BEACH NEWS JOURNAL**

NO.	REVISION/ SUBMISSIONS	DATE

SHT. TITLE NEWSPRINT STORAGE BUILDING		
SEAL	COMMISSION NO. <b>1010</b>	SCALE: 1/8" = 1'-0"
	DRAWN: JEH	SHEET NO.
	CHECKED: JEH	<b>A3.1</b>
	DATE: 9-JULY-10	OF