

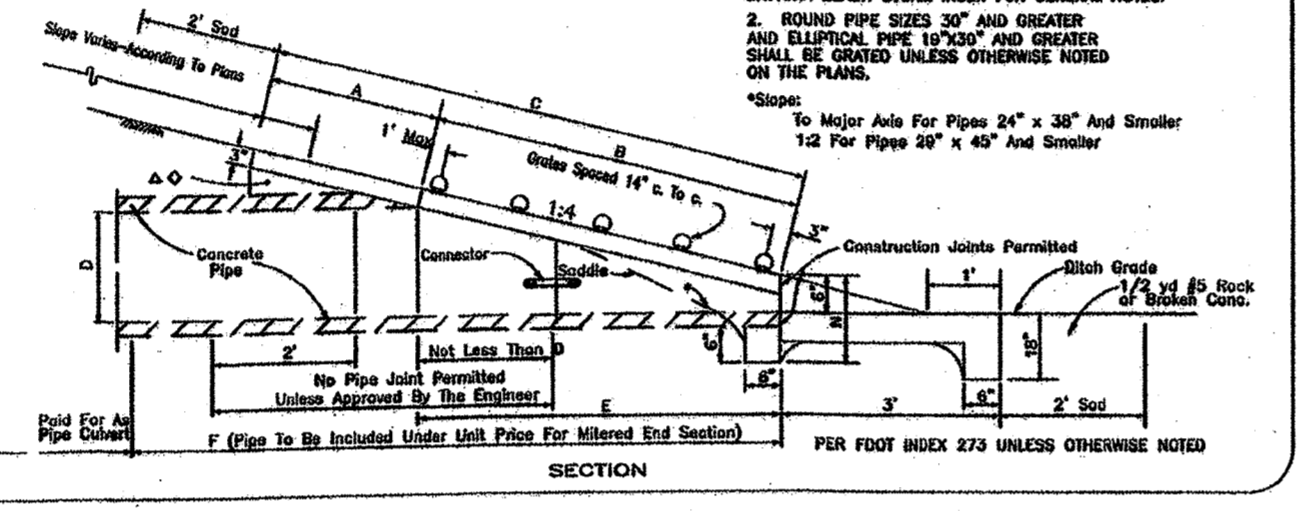
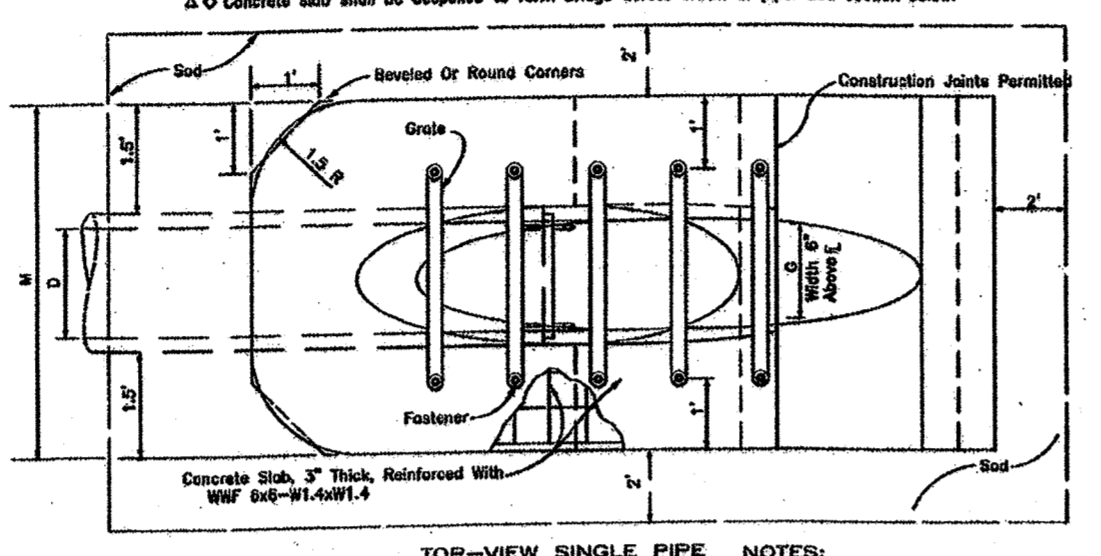
NOTES:
 1. EXTEND LIMITS OF SODDING TO A MINIMUM OF TWO (2') BEYOND TOP OF BANK OR TO MATCH EXISTING GRADE, WHICHEVER IS GREATER.
 2. ESTIMATED WET SEASON WATER TABLE ELEVATION SHALL BE BASED UPON A SITE SPECIFIC GEOTECHNICAL SOIL BORING AND PROFESSIONAL ANALYSIS.

THE CITY OF DAYTONA BEACH ENGINEERING DIVISION

DRY POND CROSS SECTION DETAIL ST-7

11-08/10
 Drawing Date: 01/08
 Drawn By: SLM
 Checked By: JWP
 Scale: NTS
 Revision Date:
 Revision No.:
 File Name: ST-7

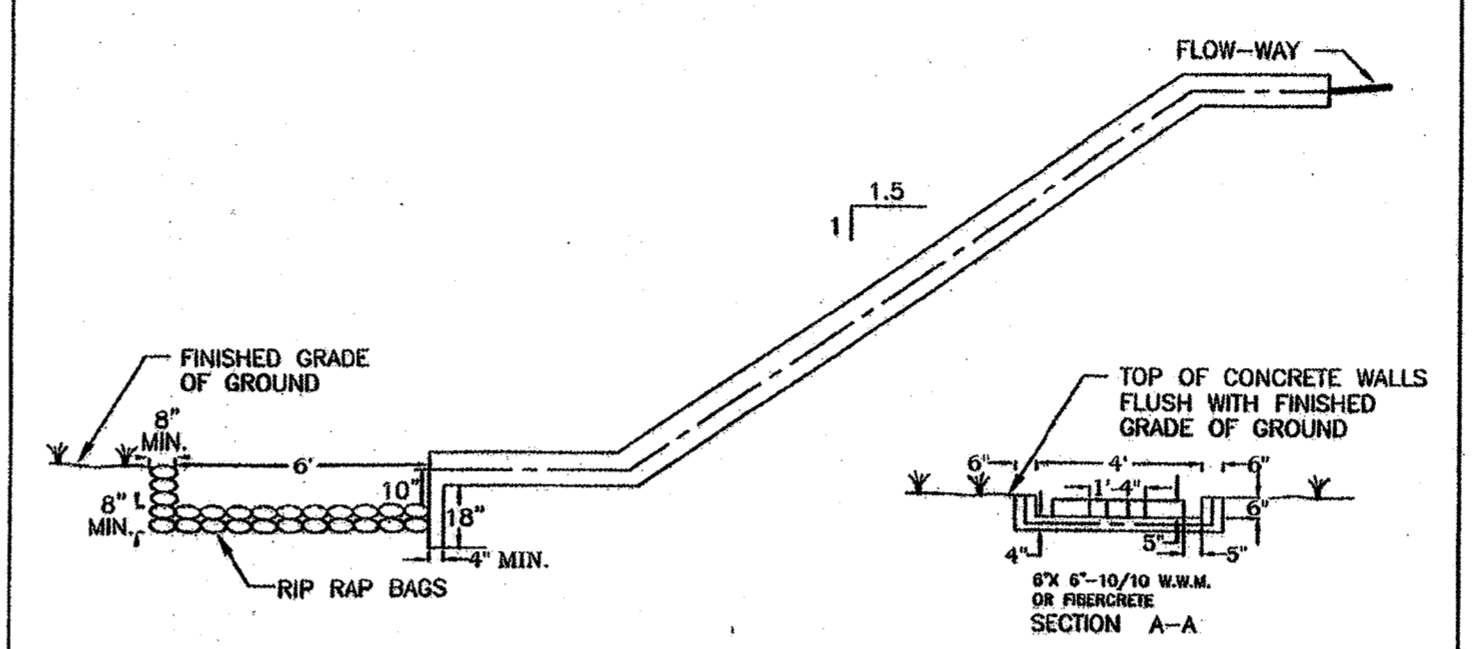
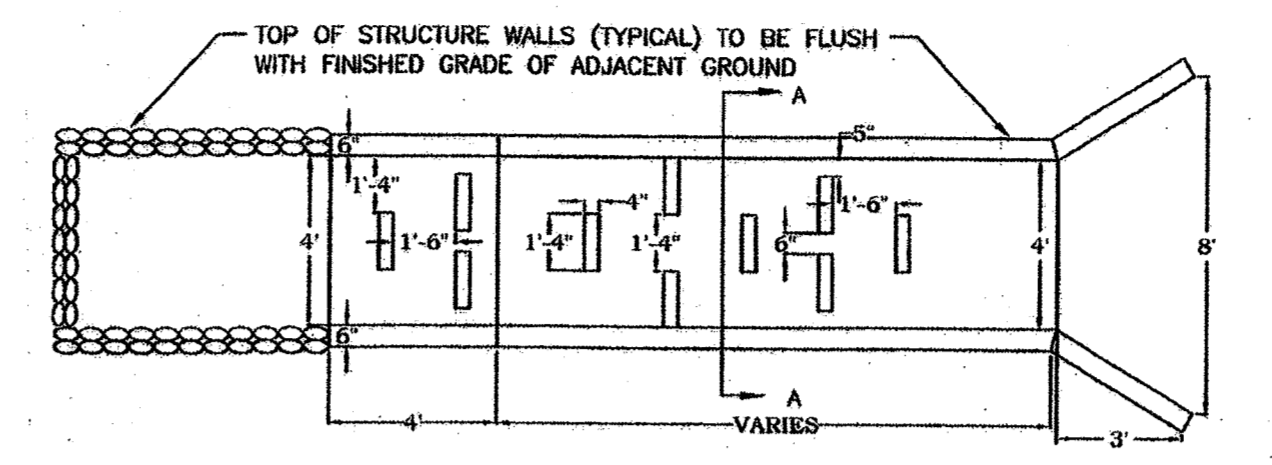
DIMENSIONS & QUANTITIES											
D	X	A	B	C	E	F	G	M			N
								Single Pipe	Double Pipe	Triple Pipe	Quad Pipe
10'	2'	2'	2'	2'	2'	2'	2'	1.25'	2.5'	3.75'	5.0'
12'	2'	2'	2'	2'	2'	2'	2'	1.5'	3.0'	4.5'	6.0'
14'	2'	2'	2'	2'	2'	2'	2'	1.75'	3.5'	5.25'	7.0'
16'	2'	2'	2'	2'	2'	2'	2'	2.0'	4.0'	6.0'	8.0'
18'	2'	2'	2'	2'	2'	2'	2'	2.25'	4.5'	6.75'	9.0'
20'	2'	2'	2'	2'	2'	2'	2'	2.5'	5.0'	7.5'	10.0'
22'	2'	2'	2'	2'	2'	2'	2'	2.75'	5.5'	8.25'	11.0'
24'	2'	2'	2'	2'	2'	2'	2'	3.0'	6.0'	9.0'	12.0'
26'	2'	2'	2'	2'	2'	2'	2'	3.25'	6.5'	9.75'	13.0'
28'	2'	2'	2'	2'	2'	2'	2'	3.5'	7.0'	10.5'	14.0'
30'	2'	2'	2'	2'	2'	2'	2'	3.75'	7.5'	11.25'	15.0'
32'	2'	2'	2'	2'	2'	2'	2'	4.0'	8.0'	12.0'	16.0'
34'	2'	2'	2'	2'	2'	2'	2'	4.25'	8.5'	12.75'	17.0'
36'	2'	2'	2'	2'	2'	2'	2'	4.5'	9.0'	13.5'	18.0'
38'	2'	2'	2'	2'	2'	2'	2'	4.75'	9.5'	14.25'	19.0'
40'	2'	2'	2'	2'	2'	2'	2'	5.0'	10.0'	15.0'	20.0'
42'	2'	2'	2'	2'	2'	2'	2'	5.25'	10.5'	15.75'	21.0'
44'	2'	2'	2'	2'	2'	2'	2'	5.5'	11.0'	16.5'	22.0'
46'	2'	2'	2'	2'	2'	2'	2'	5.75'	11.5'	17.25'	23.0'
48'	2'	2'	2'	2'	2'	2'	2'	6.0'	12.0'	18.0'	24.0'
50'	2'	2'	2'	2'	2'	2'	2'	6.25'	12.5'	18.75'	25.0'
52'	2'	2'	2'	2'	2'	2'	2'	6.5'	13.0'	19.5'	26.0'
54'	2'	2'	2'	2'	2'	2'	2'	6.75'	13.5'	20.25'	27.0'
56'	2'	2'	2'	2'	2'	2'	2'	7.0'	14.0'	21.0'	28.0'
58'	2'	2'	2'	2'	2'	2'	2'	7.25'	14.5'	21.75'	29.0'
60'	2'	2'	2'	2'	2'	2'	2'	7.5'	15.0'	22.5'	30.0'
62'	2'	2'	2'	2'	2'	2'	2'	7.75'	15.5'	23.25'	31.0'
64'	2'	2'	2'	2'	2'	2'	2'	8.0'	16.0'	24.0'	32.0'
66'	2'	2'	2'	2'	2'	2'	2'	8.25'	16.5'	24.75'	33.0'
68'	2'	2'	2'	2'	2'	2'	2'	8.5'	17.0'	25.5'	34.0'
70'	2'	2'	2'	2'	2'	2'	2'	8.75'	17.5'	26.25'	35.0'
72'	2'	2'	2'	2'	2'	2'	2'	9.0'	18.0'	27.0'	36.0'
74'	2'	2'	2'	2'	2'	2'	2'	9.25'	18.5'	27.75'	37.0'
76'	2'	2'	2'	2'	2'	2'	2'	9.5'	19.0'	28.5'	38.0'
78'	2'	2'	2'	2'	2'	2'	2'	9.75'	19.5'	29.25'	39.0'
80'	2'	2'	2'	2'	2'	2'	2'	10.0'	20.0'	30.0'	40.0'



THE CITY OF DAYTONA BEACH ENGINEERING DIVISION

MITERED END SECTION DETAIL (SINGLE PIPE) ST-11

11-08/10
 Drawing Date: 01/08
 Drawn By: SLM
 Checked By: JWP
 Scale: NTS
 Revision Date:
 Revision No.:
 File Name: ST-11



NOTES:
 1. CONCRETE SPILLWAY TO BE 28 DAY, 3000 P.S.I., 4" THICK (MIN).
 2. PLACE SOD AT LEAST 5' IN BORDER WIDTH AROUND ALL STRUCTURE EDGES ABOVE STANDING WATER.

THE CITY OF DAYTONA BEACH ENGINEERING DIVISION

CONCRETE SPILLWAY DETAIL ST-12

11-08/10
 Drawing Date: 01/08
 Drawn By: SLM
 Checked By: JWP
 Scale: NTS
 Revision Date:
 Revision No.:
 File Name: ST-12

12/27/11	CITY STAFF COMMENTS	NM/BJ
10/04/11	CITY STAFF COMMENTS	NM/BJ
Revised	Description of Revision	By

Daniel Johns, P.E.
 Professional Engineers
 3869 S. Nova Rd., Ste. #4, Port Orange, FL 32127
 phone: 386-756-8582 / fax: 386-756-8583

FRATERNAL ORDER OF EAGLES #401
 324 Beville Road
 Daytona Beach, Volusia County, Florida 32114

date: 06-15-11 scale: SHOWN sheet: 11 of 19