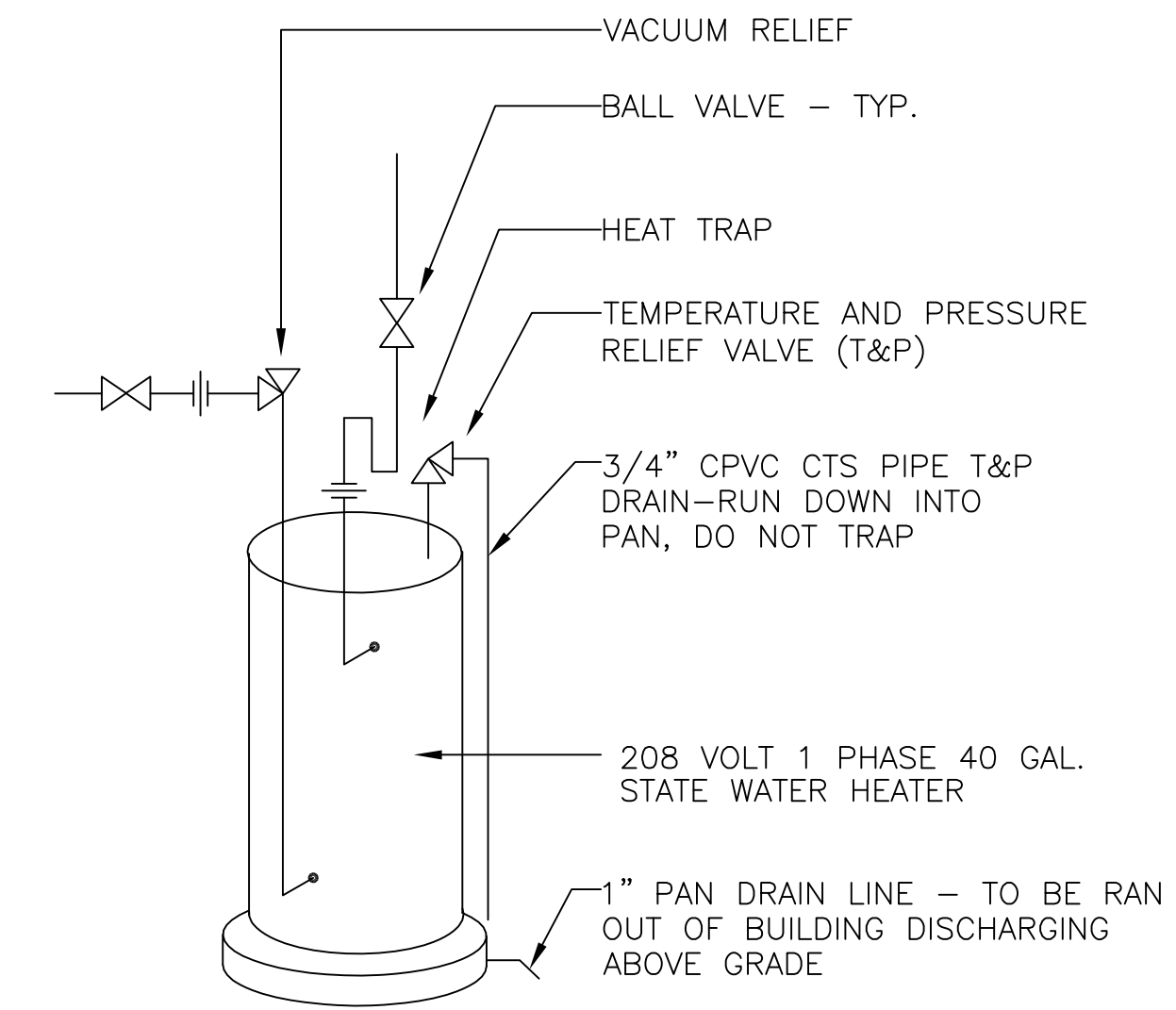


PLUMBING GENERAL NOTES

- COORDINATE ALL PIPING ROUTING WITH ALL OTHER TRADES PRIOR TO INSTALLATION. ROUTE ALL PIPING TO AVOID DUCTWORK, ELECTRICAL RACEWAYS AND BUILDING STRUCTURE. IF PENETRATIONS THROUGH STRUCTURAL MEMBERS ARE REQUIRED FOR PLUMBING INSTALLATIONS, NOTIFY ARCHITECT AND STRUCTURAL ENGINEER PRIOR TO INSTALLATION TO INSURE THAT STRUCTURAL INTEGRITY IS MAINTAINED.
- ROUTE ALL PIPING CONCEALED ABOVE CEILINGS, WITHIN WALLS, OR IN CHASES EXCEPT AS SPECIFICALLY NOTED, OR IN MECHANICAL ROOMS. PIPING SHALL NOT BE RUN THROUGH ELECTRICAL ROOMS OR CLOSETS.
- SLEEVE AND FIRE STOP ALL PENETRATIONS OF RATED WALLS, CEILINGS, FLOORS, ETC. IN ACCORDANCE WITH APPLICABLE UL STANDARDS AND LOCAL CODES TO MAINTAIN RATINGS. SEE SPECIFICATIONS. SEE ARCHITECTURAL DRAWINGS FOR RATED WALLS, FLOORS AND CEILINGS.
- PIPE ROUTING SHOWN IS SCHEMATIC AND IS INTENDED TO INDICATE GENERAL ROUTING. PLUMBING CONTRACTOR SHALL PROVIDE ANY ADDITIONAL OFFSETS AND FITTINGS REQUIRED FOR PROPER INSTALLATION AND TO MAINTAIN CLEARANCES AS ENCOUNTERED IN THE FIELD.
- ALL PLUMBING INSTALLATION AND MATERIALS SHALL BE IN STRICT ACCORDANCE WITH ALL LOCAL, STATE AND FEDERAL CODES AND APPLICABLE STANDARDS, REGULATIONS AND AUTHORITIES HAVING JURISDICTION OVER THIS PROJECT.
- PROVIDE ACCESS PANELS TO ALL VALVES WITHIN CHASES OR ABOVE NON-ACCESSIBLE CEILINGS. REFER TO ARCHITECTURAL DRAWINGS FOR CEILING TYPES.
- SANITARY PIPING SHALL SLOPE NO LESS THAN 1/8" FALL PER FOOT.
- SEE ARCHITECTURAL DRAWINGS FOR EXACT PLUMBING FIXTURE LOCATIONS, MOUNTING HEIGHTS, DIMENSIONS AND HANDICAPPED REQUIREMENTS.
- PLUMBING FIXTURES AND EQUIPMENT SHALL BE INSTALLED COMPLETE WITH TRIM AND ALL OTHER APPURTENANCES REQUIRED TO CONNECT TO ROUGH-IN PIPING AT FLOORS AND WALLS UNLESS OTHERWISE SPECIFIED.
- ALL WORK AND EQUIPMENT SHALL MEET THE REQUIREMENTS OF THE MOST RECENTLY REVISED VERSION OF ALL APPLICABLE LAWS, RULES, REGULATIONS AND ORDINANCES OF FEDERAL, STATE AND LOCAL AUTHORITIES, WHETHER INDICATED ON THE DRAWINGS OR NOT.
- ADHERE TO THE DRAWINGS WHEN REQUIREMENTS ARE STRICTER THE CODE REQUIREMENTS AND ARE PERMITTED UNDER THE CODE.
- REPORT ANY ALTERATION TO AND/OR DEVIATIONS FROM THE DRAWINGS AS REQUIRED BY THE ABOVE AUTHORITIES TO THE ARCHITECT AND SECURE HIS APPROVAL BEFORE STARTING ALTERATIONS.
- THE CONTRACTOR SHALL REQUEST SUPPLEMENTARY INSTRUCTIONS FROM THE ARCHITECT IN ALL CASES OF DOUBT AS TO THE WORK INTENDED, OR IF ADDITIONAL EXPLANATION IS NEEDED.
- CONTRACTOR SHALL FIELD VERIFY EXISTING CONDITIONS PRIOR TO CONSTRUCTION. ALL WORK AND SCHEDULING DURING CONSTRUCTION SHALL BE COORDINATED WITH THE BUILDING OWNER, G.C. AND/OR ENGINEER.
- VERIFY INVERT ELEVATIONS AND EXACT LOCATIONS OF SANITARY AND STORM CONNECTIONS TO WHICH NEW SANITARY AND STORM LINES ARE TO BE CONNECTED PRIOR TO INSTALLATION.
- THE CONTRACTOR SHALL VISIT THE JOB SITE AND SHALL FAMILIARIZE THEMSELVES WITH EXISTING CONDITIONS PRIOR TO BIDDING. THE CONTRACTOR SHALL VERIFY ALL JOB SITE CONDITIONS AS IT RELATES TO CONSTRUABILITY AND CODE COMPLIANCE WITHIN THEIR RESPECTIVE TRADE AND SHALL BRING ALL DISCREPANCIES TO THE ATTENTION OF THE ARCHITECT AND ENGINEER PRIOR TO BID.
- PLUMBING CONTRACTOR SHALL INSTALL DIELECTRIC UNIONS AT ALL CONNECTIONS OF DISSIMILAR METALS.
- ROUGH-IN ALL WASTES AND SUPPLIES TO SPECIAL EQUIPMENT IN STRICT ACCORDANCE WITH THE MANUFACTURERS RECOMMENDATIONS AND MAKE FINAL CONNECTIONS. ALL SUPPLIES SHALL BE VALVED. INSTALL VACUUM BREAKERS WHERE REQUIRED BY CODE.
- PROVIDE "MINIMUM AIR GAP" AS DEFINED IN ANSI A112.1.2 FOR ALL WATER DISTRIBUTION SYSTEM OUTLETS. WHERE IT IS NOT POSSIBLE TO PROVIDE "AIR GAP", THE OUTLET SHALL BE EQUIPPED WITH AN ACCESSIBLE BACKFLOW PREVENTER COMPLYING WITH THE REQUIREMENTS OF THE 2007 FBPC WITH 2009 AMENDMENTS.
- ANY PIPE IN UNCONDITIONED SPACES SHALL BE FULLY INSULATED AND PROTECTED FROM FREEZING TEMPERATURES.



WATER HEATER DETAIL N.T.S.

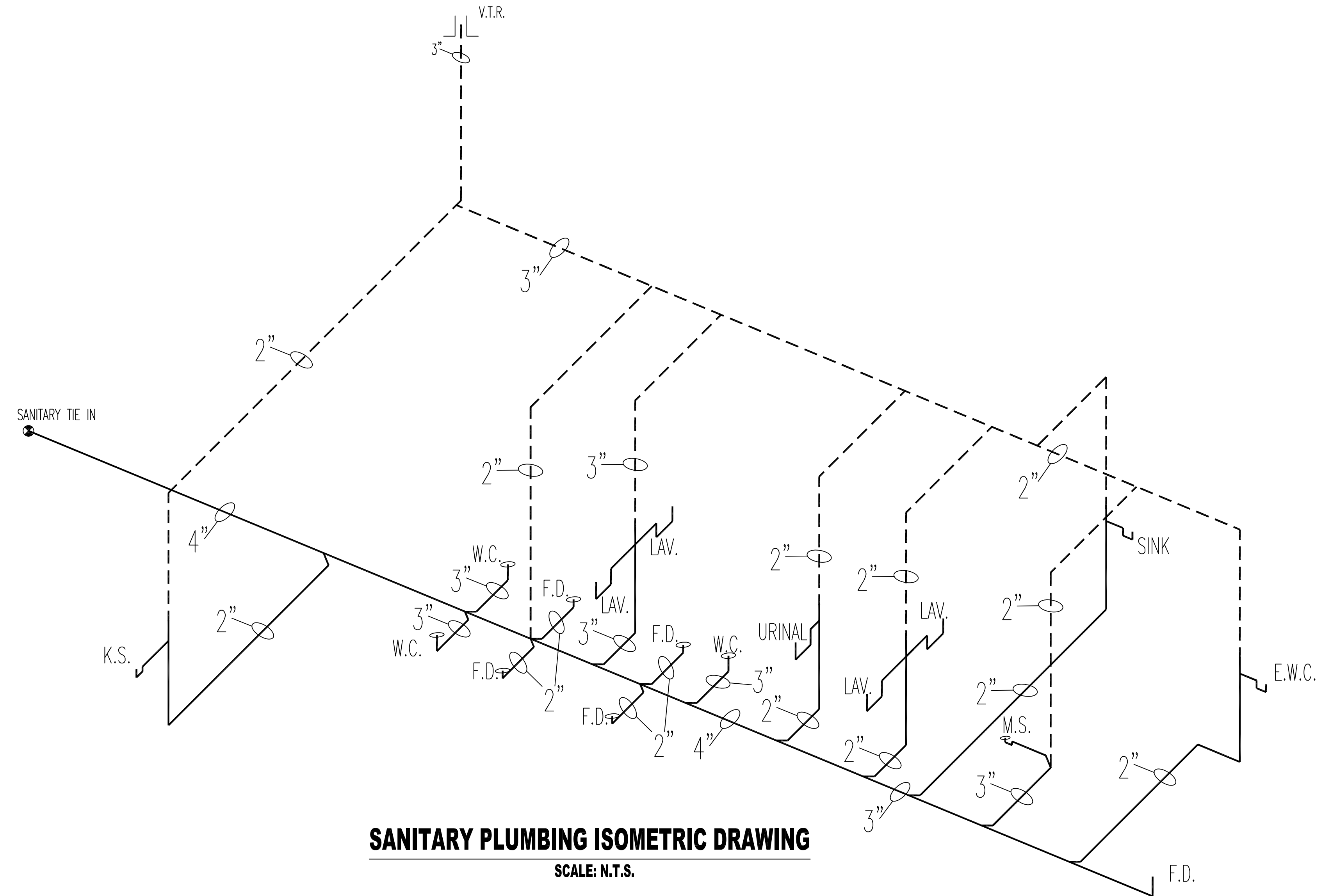
NOTE: DRAIN AND T&P DRAIN PIPING TO BE CPVC CTS PIPE & FITTINGS

STEWART MARCHMAN – PLUMBING CALCULATIONS			
QTY	FIXTURE	DFU	DFU / GROUP
3	TOILETS	4	12
4	LAVS	1	4
1	URINALS	4	4
1	M.S.	3	3
2	SINKS	2	4
1	E.W.C.	.5	.5
5	FLOOR DRAINS	2	10
SANITARY PIPE SIZING IS 4"		TOTAL DFU	37.5

QTY	FIXTURE	WSFU	WSFU / GROUP
3	TOILETS	5	15
4	LAVS	2	8
1	URINALS	5	5
1	M.S.	3	3
2	SINKS	4	8
1	E.W.C.	.25	.25
WATER SERVICE IS 1"		TOTAL WSFU	39.25

JOB NOTES

- COORDINATE EXACT PLUMBING FIXTURE LOCATION WITH ARCHITECTURAL.
- COMPLY WITH FLORIDA BUILDING CODE PLUMBING 2004 EDITION AND ALL LOCAL ORDINANCES AND HEALTH CODES
- ALL SANITARY, VENT AND GREASE LINES TO BE PVC DWV PIPE AND FITTINGS
- PROVIDE TRAP PRIMER OR PRIMER WITH DISTRIBUTION UNIT TO ALL FLOOR DRAINS. INSTALL IN ACCORDANCE WITH MFR'S WRITTEN INSTRUCTIONS.
- ALL DOMESTIC WATER TO BE CPVC PIPE & FITTINGS
- FIXTURES TO BE CONSTRUCTED OF APPROVED MATERIALS.



SANITARY PLUMBING ISOMETRIC DRAWING

SCALE: N.T.S.

VENT PIPING - - - - -
SANITARY PIPE _____

Drawing Title: PLUMBING PLAN P-1		Contract No.:		Drawn By: GT		Scale: AS NOTED		Date: 11/09/11		Approval By: COB	
Number of Sprinklers:		Total This Job:		Description:		Symbol:		Hydraulic Reference Points:		Date:	
Symbols:		Description:		Symbol:		Description:		Hydraulic Reference Points:		Date:	
General Notes:		Description:		Symbol:		Description:		Hydraulic Reference Points:		Date:	
Job: STEWART MARCHMAN @ V. CARTER SANCTUARY 301 JUSTICE LN. BUNNEL, FL		Contractor: Master Craft Plumbing Contractors, Inc. 887 Brentwood Drive Daytona Beach, FL 32117		General Notes:		Description:		Symbol:		Date:	
SHEET P-1 OF 2		Description:		Symbol:		Description:		Hydraulic Reference Points:		Date:	

P-1

887 Brentwood Drive, Daytona Beach, Florida 32117
 Phone (386) 252-7047 Fax (386) 898-0322
STATE CERTIFIED PLUMBING CONTRACTOR NO. CFC023634

mcm mastercraft
 PLUMBING, HEATING, MECHANICAL
 AIR CONDITIONING & FIRE PROTECTION